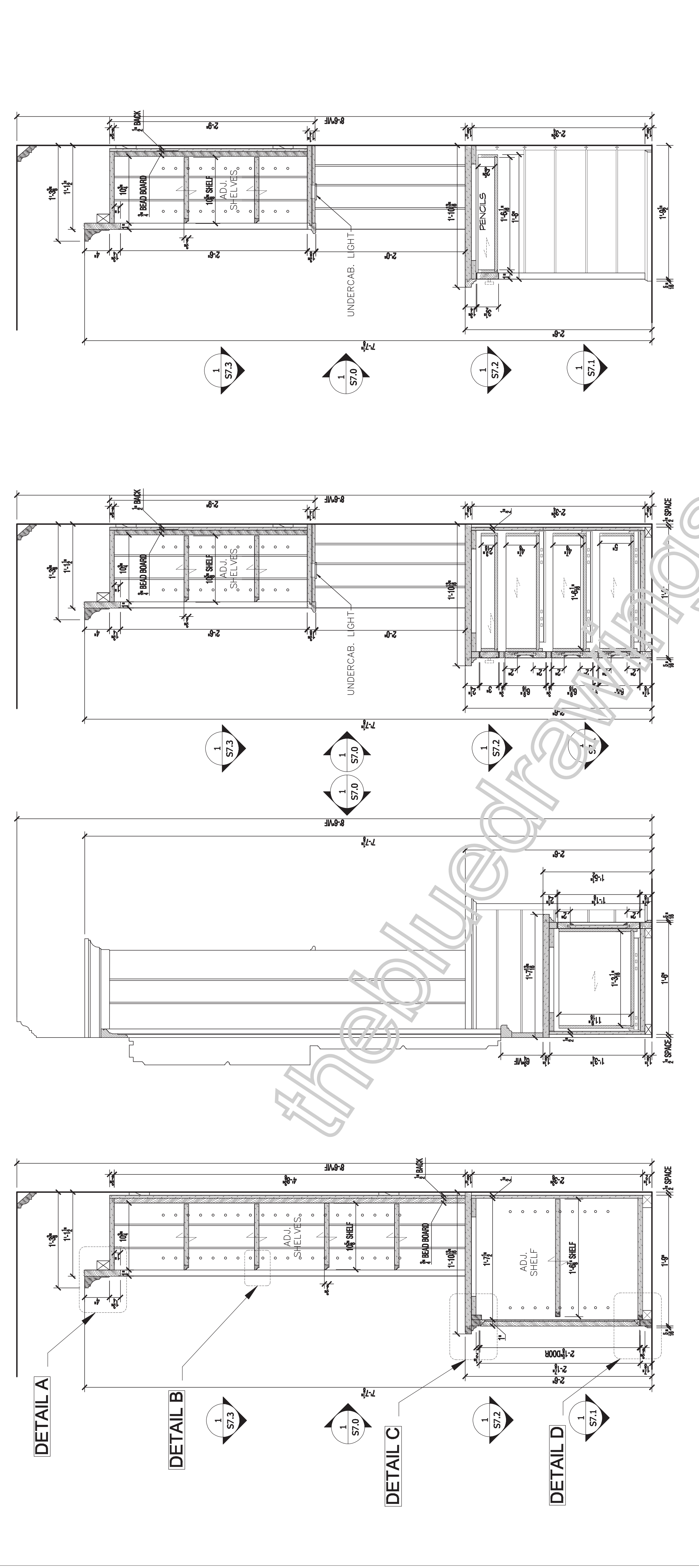


NO.	1
DATE:	
REVISIONS:	

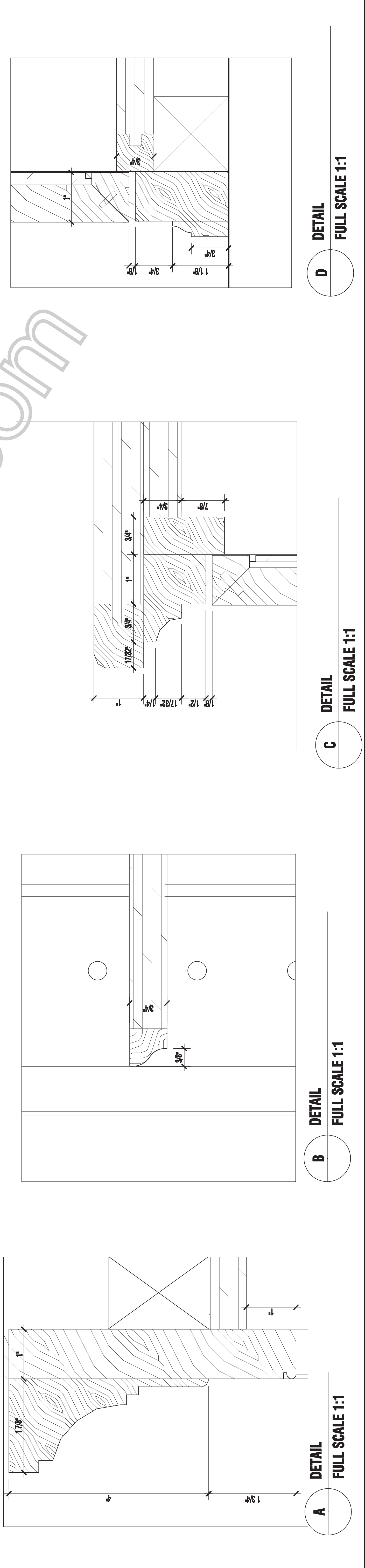
Sample Sample Sample
 Sample Sample Sample
 Sample Sample Sample
 Ph 11111111 Fx 22222222
 Email: ere@werweom

COMPANY:
 Project Name and Address:
 Sample Sample
 Sample Sample
 Sample

DATE: 07/23/09
 DRAWN BY: Mark J.
 theblueprint.com
 ARCHITECT/DESIGNER:
 Sample Sample
 Sample Sample
 DRAWING TITLE: OFFICE
 PROJECT NUMBER:
 DRAWING NUMBER: S7.4
 PAGE SIZE: ARCH. D. 24"x36"



1 OFFICE - VERTICAL SECTION SCALE: 1-1/2"=1'
 2 OFFICE - VERTICAL SECTION SCALE: 1-1/2"=1'
 3 OFFICE - VERTICAL SECTION SCALE: 1-1/2"=1'
 4 OFFICE - VERTICAL SECTION SCALE: 1-1/2"=1'



A DETAIL FULL SCALE 1:1
 B DETAIL FULL SCALE 1:1
 C DETAIL FULL SCALE 1:1
 D DETAIL FULL SCALE 1:1