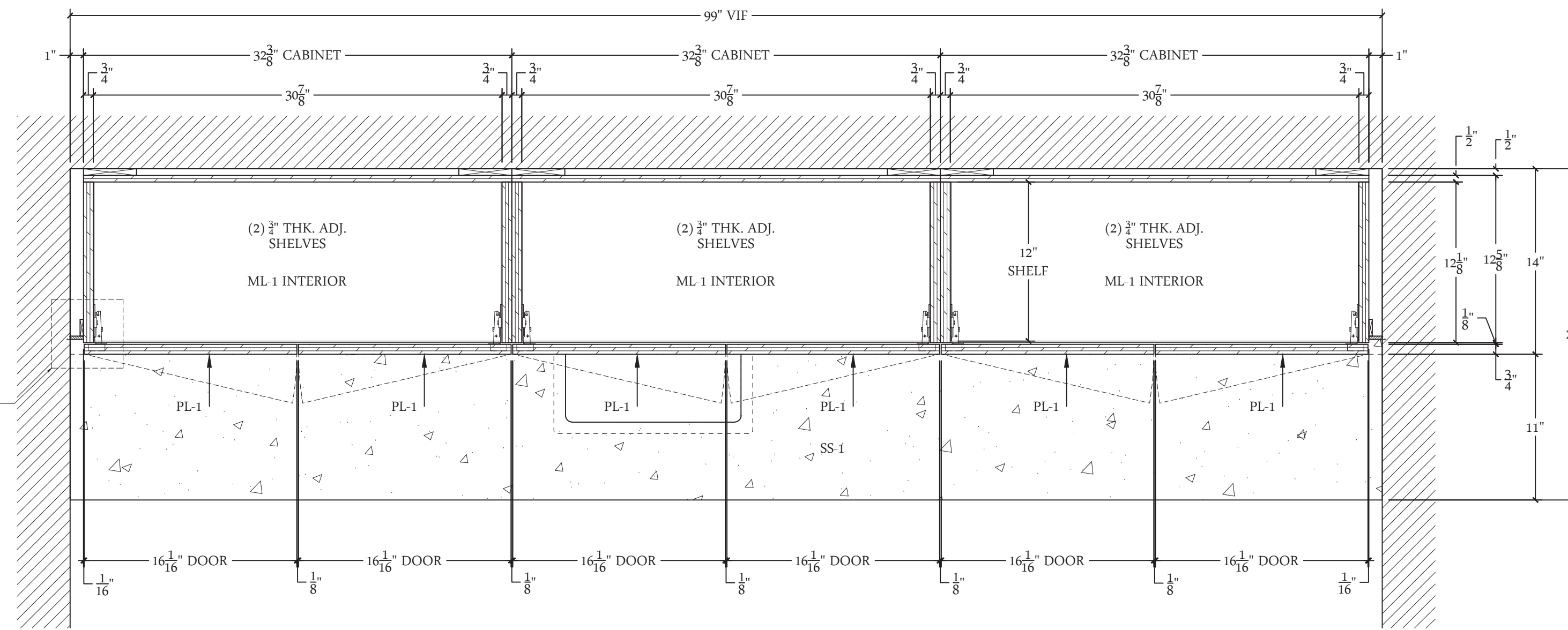
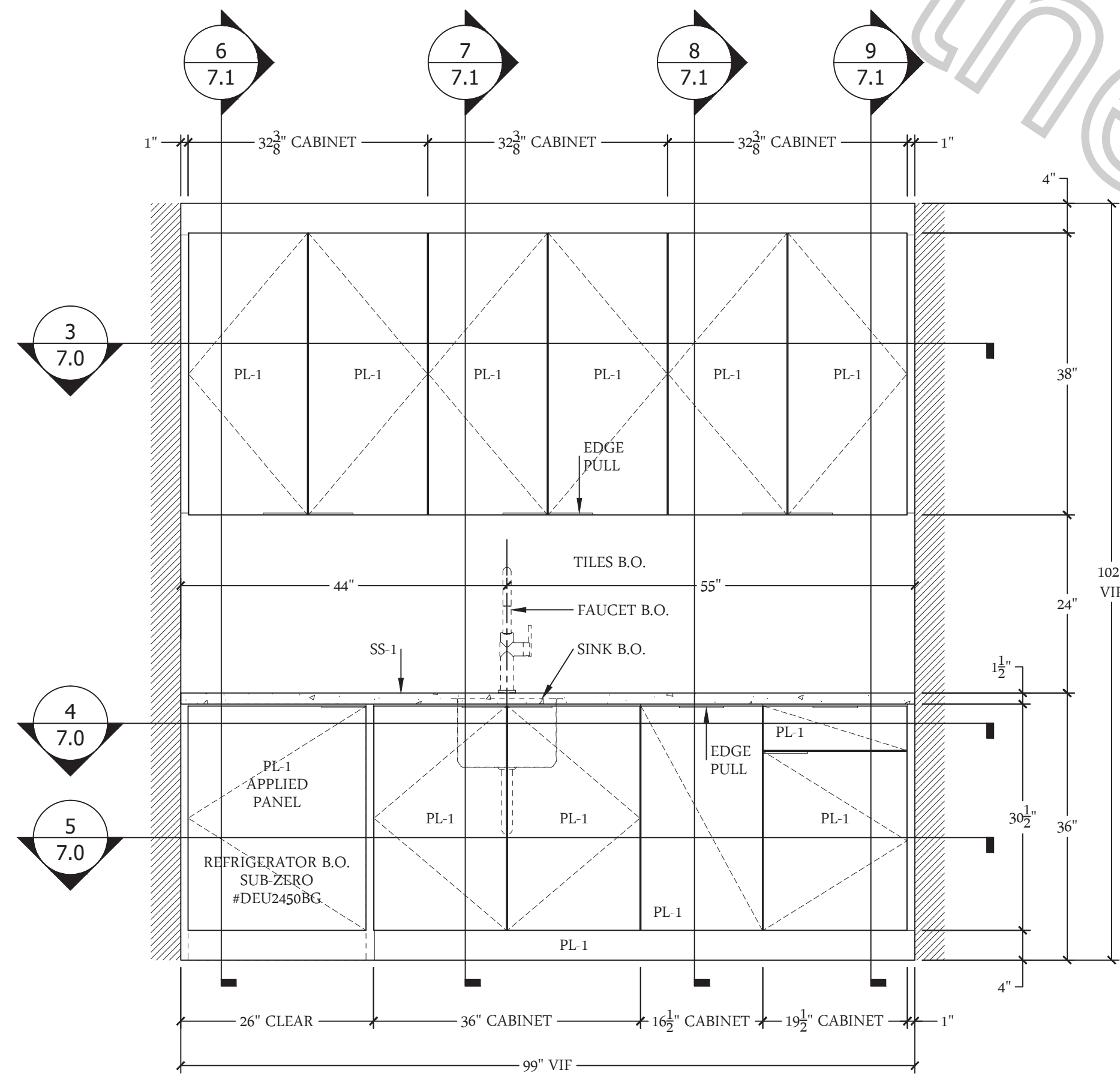


**D1** DETAIL @ REVEAL  
Scale: FULL

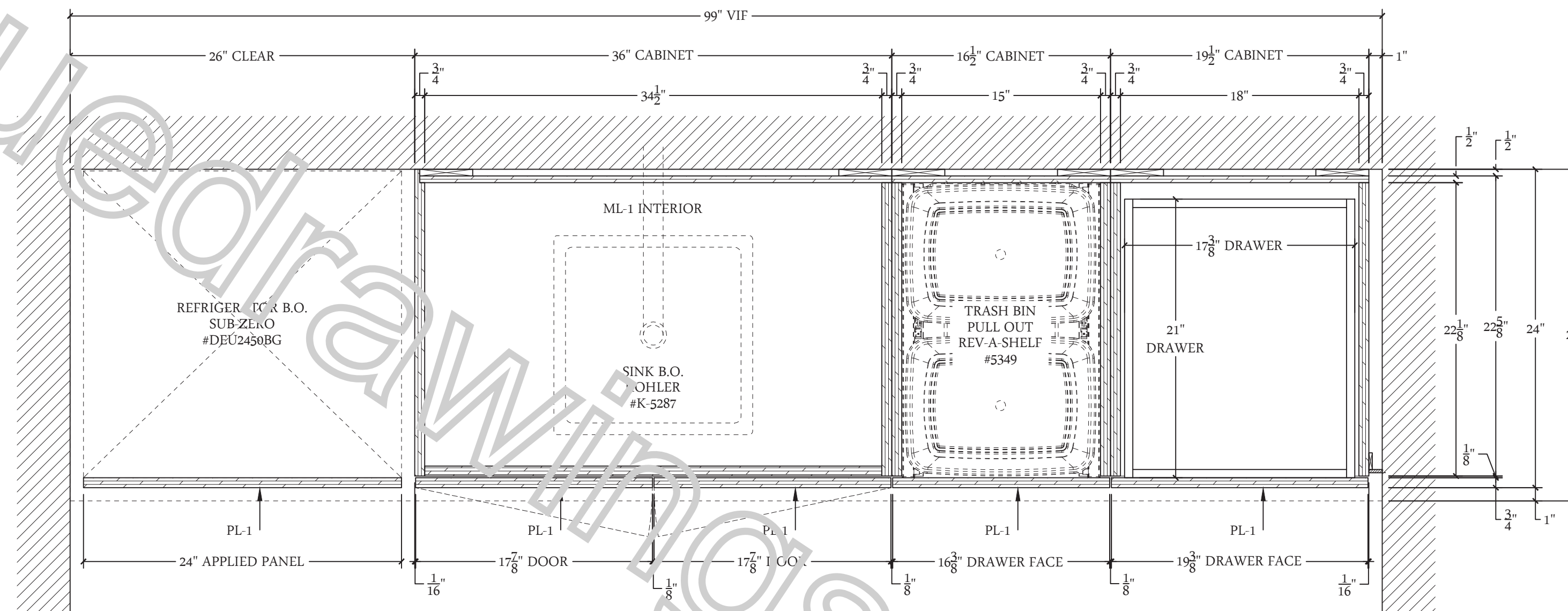
SEE DETAIL #D1/S7.0



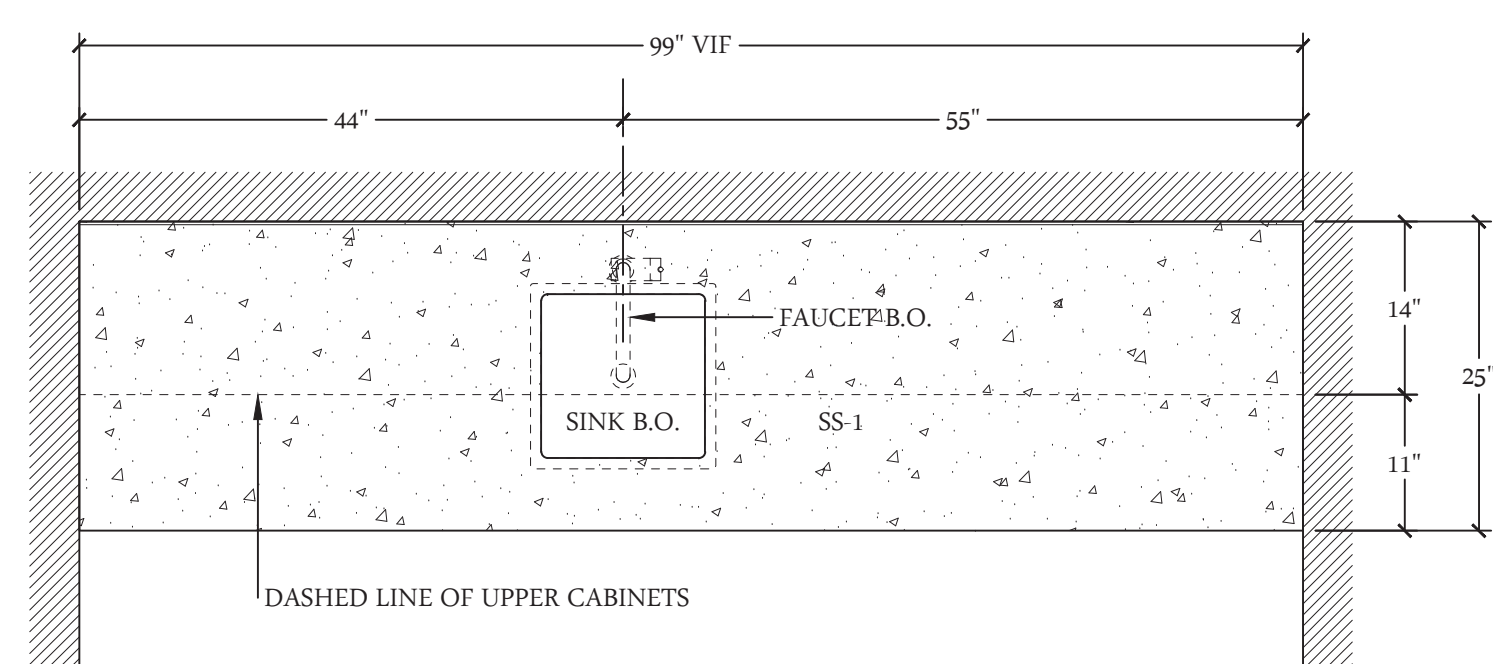
**3** SECTION  
Scale: 1 1/2"=1'-0"



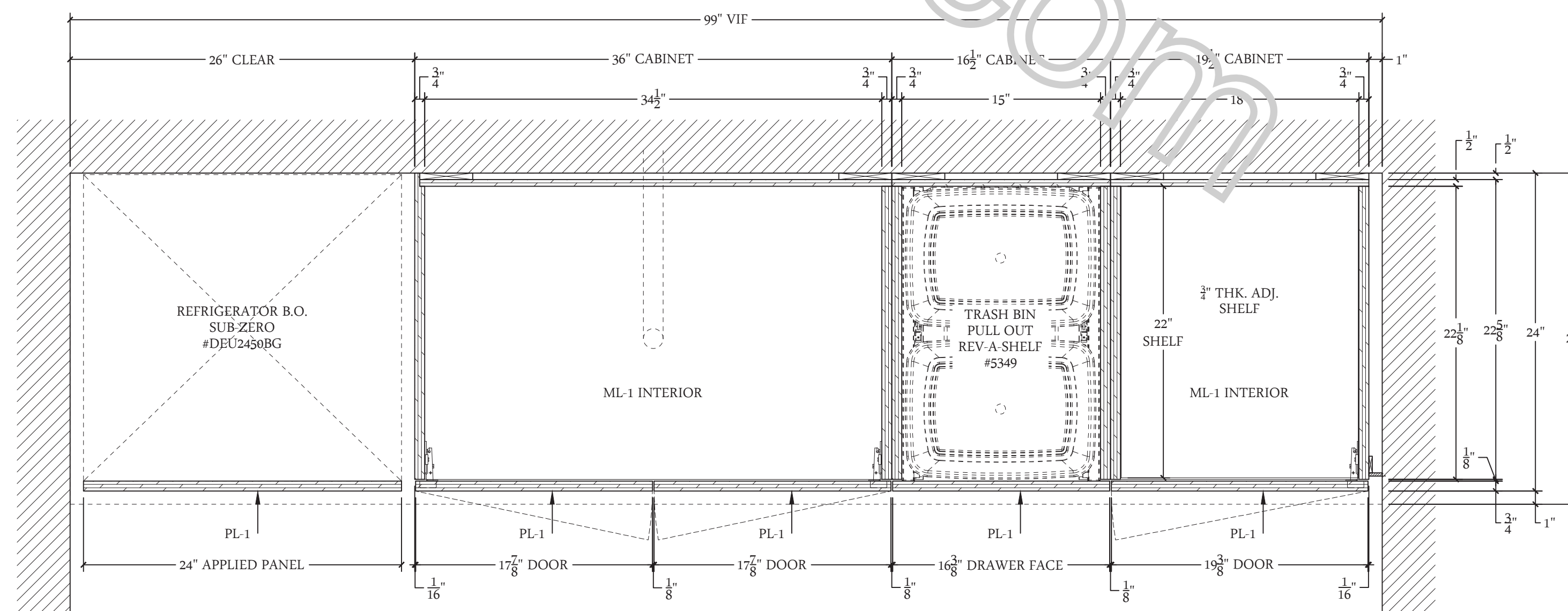
**2** ELEVATION  
Scale: 3/4"=1'-0"



**4** SECTION  
Scale: 1 1/2"=1'-0"



**1** PLAN  
Scale: 3/4"=1'-0"



**5** SECTION  
Scale: 1 1/2"=1'-0"

**SPECIFICATIONS**

**FINISHES**

- (PL-1) - WILSONART, SOFTGRAIN FINISH, MOCHA ASH #Y0664K-12 COLOR
- (SS-1) - CAESAR STONE, FRESH CONCRETE #4001
- (ML-1) - WHITE MELAMINE

**HARDWARE**

- (H-1) - EURO HINGE - SPEC. TBD
- (H-2) - DRAWE SLIDE - SPEC. TBD
- (H-3) - PIN SHELF SUPPORT
- (H-4) - PULL, MOCKETT #DP3C MATTE BLACK
- (H-5) - TRASH BIN - REV-A-SHELF #5349

**APPLIANCE & EXCLUSIONS**

- (AP-1) - SINK B.O. KOHLER #K-5287
- (AP-2) - FAUCET B.O. KOHLER #K-22972
- (AP-3) - REFRIGERATOR B.O. SUB-ZERO #DEU2450BG

APPROVED/NO CHANGES  
APPROVED/AS NOTED  
REVISE AS NOTED/RESUBMIT

SIGNATURE \_\_\_\_\_ DATE \_\_\_\_\_

**REVISIONS**

Nr	DATE	DESCRIPTION	BY	OBS.

ONCE APPROVED, THIS DRAWING SUPERSEDES ALL PREVIOUS ARCHITECTURAL & SHOP DRAWINGS

APPROVED BY:

SIGNATURE \_\_\_\_\_ DATE \_\_\_\_\_

**ABBREVIATIONS**

AFF=Above Fin Floor	FE=Finished End
BSE=Base	FF=Face Frame
BSK=Back	FO=Finished Opening
CABT=Cabinet	FP=Fixed Panel
CAS=Casing	ID=Inner Dimension
CL=Clear Opening	OD=Outer Dimension
C/OT=Counter Top	PNL=Panel
DB=Drawer Box	RO=Rough Opening
DF=Drawer Face	POT=Full Qty. Tray
VIF=Verify in Field	REM=Removable Panel
FD=Field Dimension	SHF=Adj Shelf

PROJECT: \_\_\_\_\_

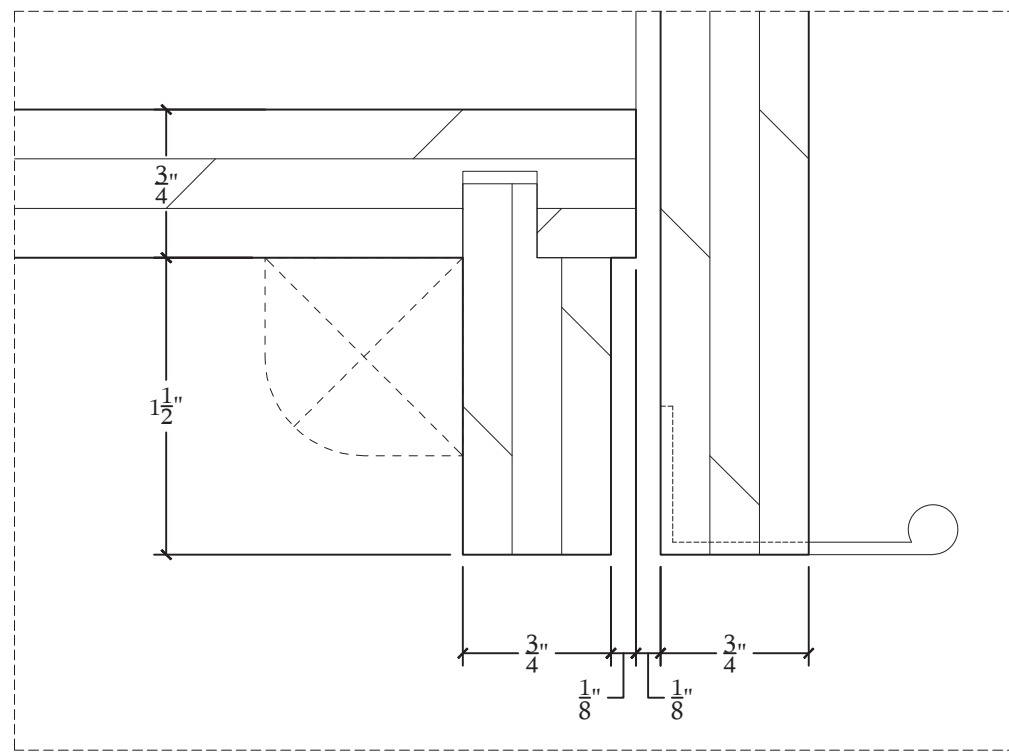
33 \_\_\_\_\_

ARCH./DE \_\_\_\_\_

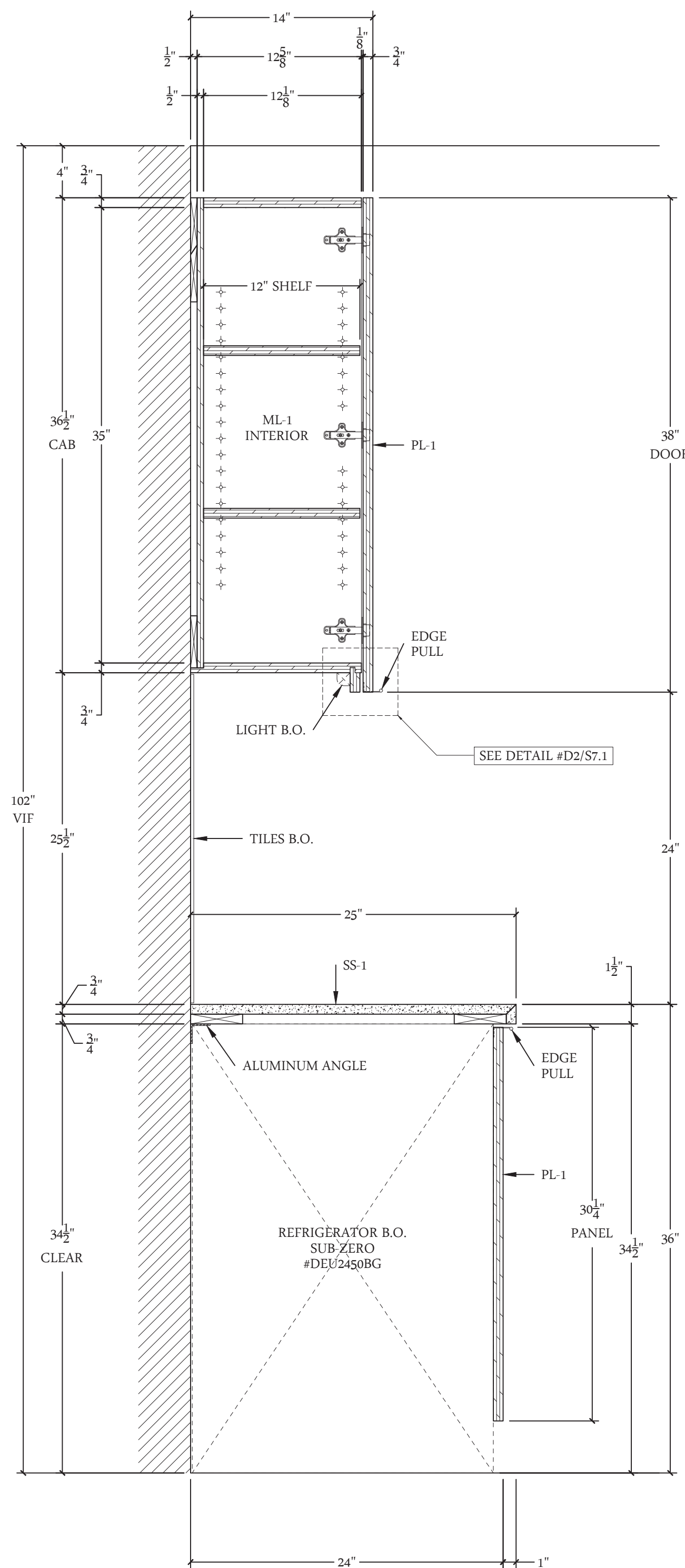
COMPANY: \_\_\_\_\_

MILLWORK  
WELLNESS ROOM #2-110

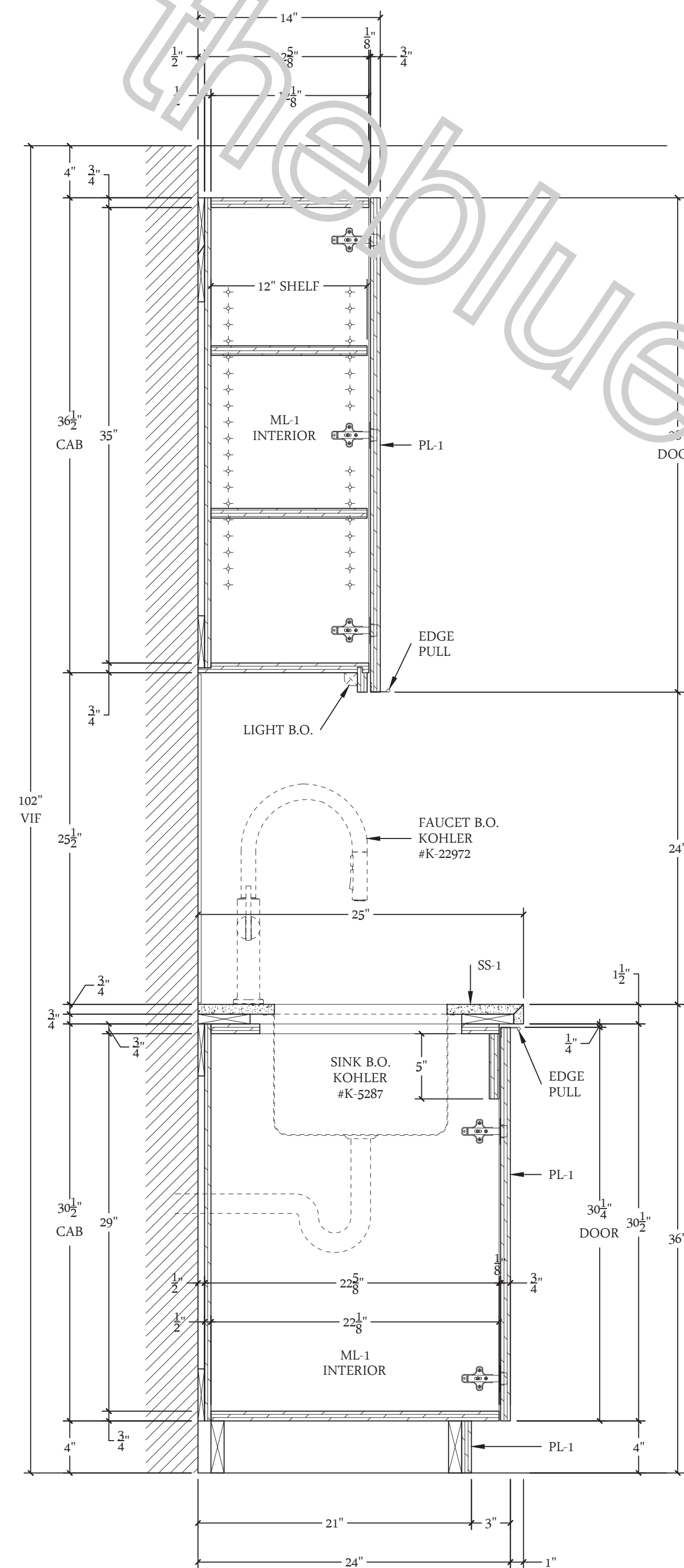
DWN BY: SEV	SCALE: AS NOTED	DWG. NO.: S7.0
DATE: 7/01/21		



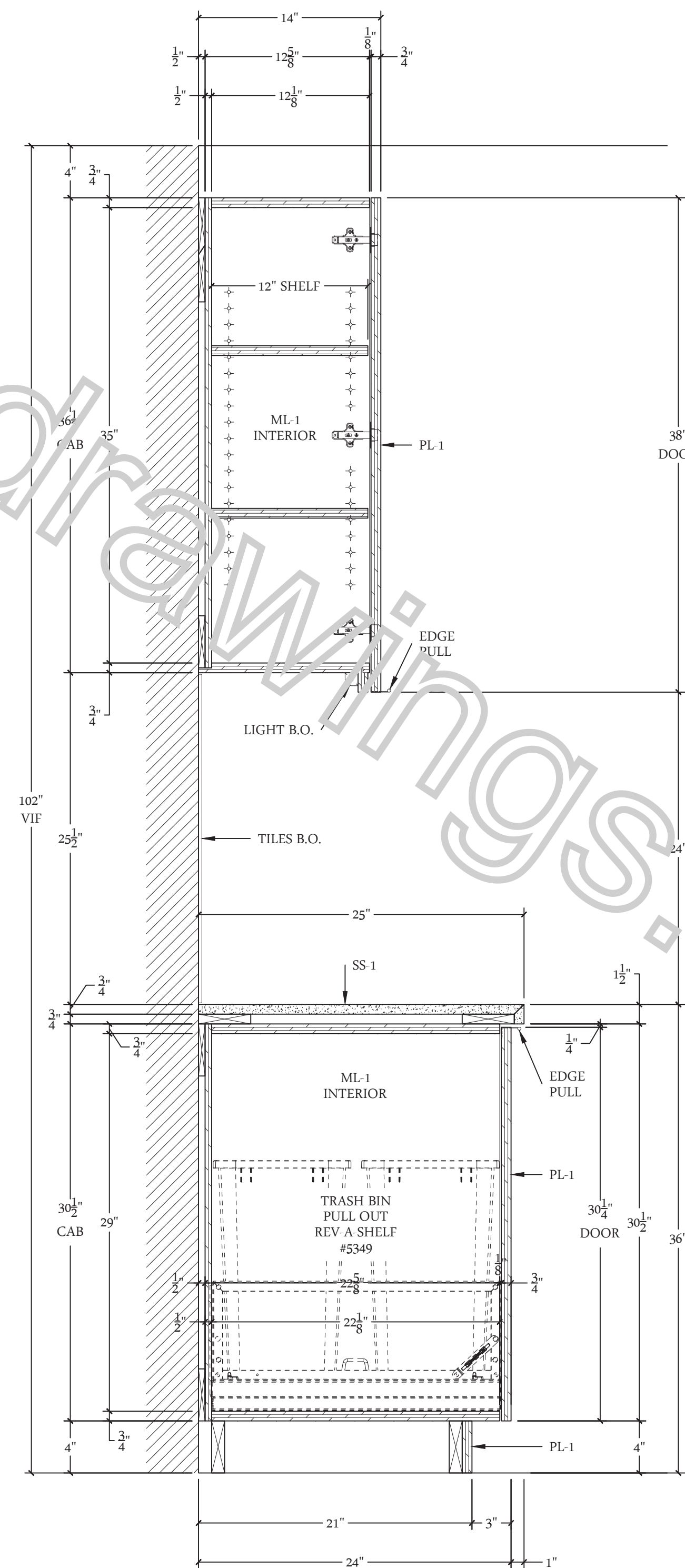
**D2** DETAIL @ CABINET  
Scale: FULL



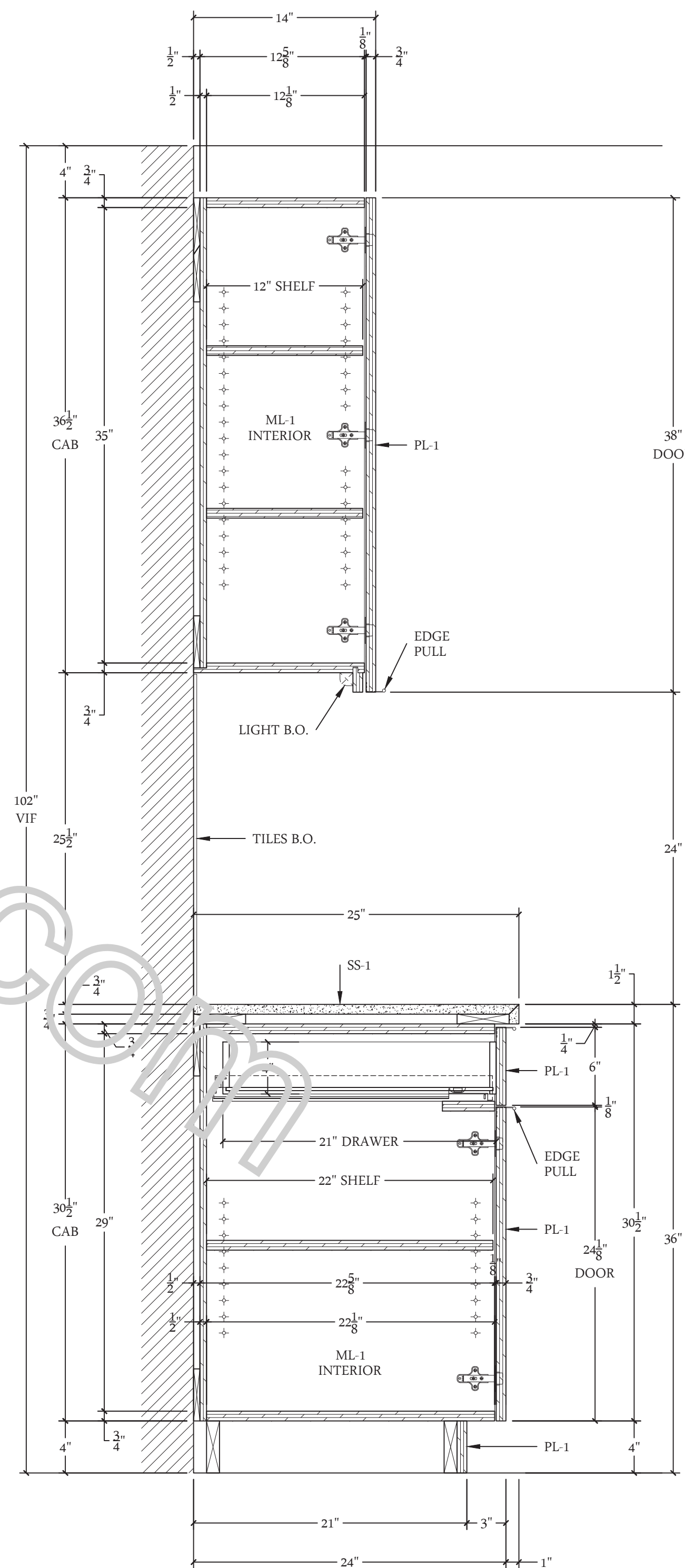
**6** SECTION  
Scale: 1 1/2"=1'-0"



**7** SECTION  
Scale: 1 1/2"=1'-0"



**8** SECTION  
Scale: 1 1/2"=1'-0"



**9** SECTION  
Scale: 1 1/2"=1'-0"

**SPECIFICATIONS**

**FINISHES**

- (PL-1) - WILSONART, SOFTGRAIN FINISH, MOCHA ASH #Y0664K-12 COLOR
- (SS-1) - CAESAR STONE, FRESH CONCRETE #4001
- (ML-1) - WHITE MELAMINE

**HARDWARE**

- (H-1) - EURO HINGE - SPEC. TBD
- (H-2) - DRAWE SLIDE - SPEC. TBD
- (H-3) - PIN SHELF SUPPORT
- (H-4) - PULL, MOCKETT #DP3C MATTE BLACK
- (H-5) - TRASH BIN - REV-A-SHELF #5349

**APPLIANCE & EXCLUSIONS**

- (AP-1) - SINK B.O. KOHLER #K-5287
- (AP-2) - FAUCET B.O. KOHLER #K-22972
- (AP-3) - REFRIGERATOR B.O. SUB-ZERO #DEU2450BG

APPROVED/NO CHANGES  
APPROVED/AS NOTED  
REVISE AS NOTED/RESUBMIT

SIGNATURE \_\_\_\_\_ DATE \_\_\_\_\_

**REVISIONS**

Nr	DATE	DESCRIPTION	BY	OBS.

ONCE APPROVED, THIS DRAWING SUPERSEDES ALL PREVIOUS ARCHITECTURAL & SHOP DRAWINGS

APPROVED BY:

SIGNATURE \_\_\_\_\_ DATE \_\_\_\_\_

**ABBREVIATIONS**

AFF=Above Fin Floor	FE=Finished End
BSE=Base	FF=Face Frame
BSK=Back	FO=Finished Opening
CAB=Cabinet	FP=Fixed Panel
CAS=Casing	ID=Inner Dimension
CL=Clear Opening	OD=Outer Dimension
C/OP=Counter Top	PNL=Panel
DB=Drawer Box	RO=Rough Opening
DF=Drawer Face	ROT=Roll Out Tray
VIF=Verify in Field	REM=Removable Panel
FD=Field Dimension	SHF=Adj Shelf

PROJECT: 33

ARCH./DE: \_\_\_\_\_

COMPANY: \_\_\_\_\_

MILLWORK  
WELLNESS ROOM #2-110

DWN BY: SEV	SCALE: AS NOTED	DWG. NO.: S7.1
DATE: 7/01/21		