

SPECIFICATIONS

FINISHES

BR-1 - ANTIQUE BRASS
PR - SHOP PAINTED
BLUM SOFT CLOSE HINGE

HARDWARE

APPLIANCE & EXCLUSIONS

APPROVED/NO CHANGES
APPROVED/AS NOTED
REVISE AS NOTED/RESUBMIT

SIGNATURE _____ DATE _____

REVISIONS

Nr	DATE	DESCRIPTION	BY	OBS.
1	07/07/21	ARCHT REVISION		

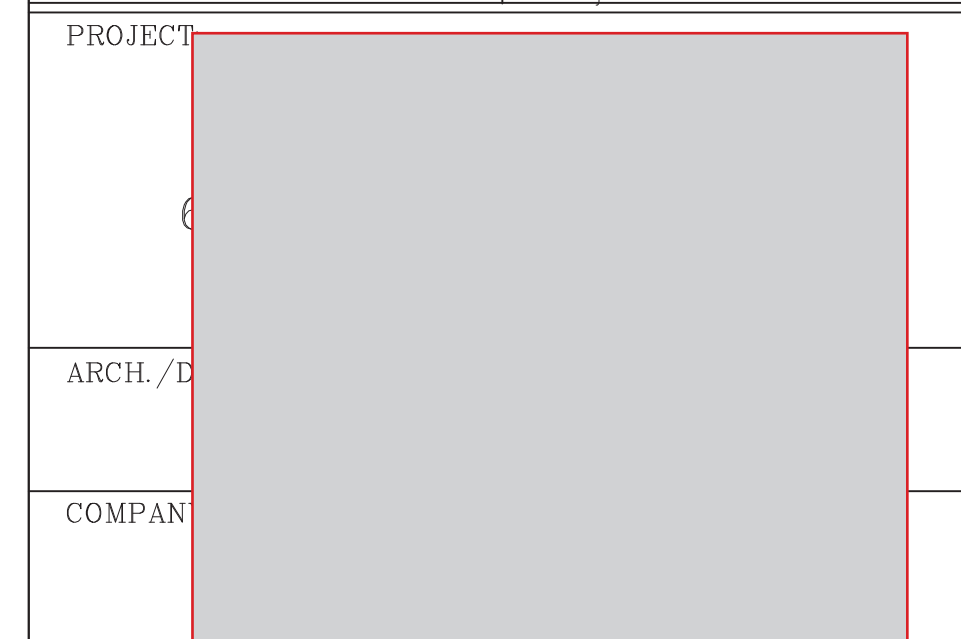
ONCE APPROVED, THIS DRAWING
SUPERSEDES ALL PREVIOUS
ARCHITECTURAL & SHOP DRAWINGS

APPROVED BY:

SIGNATURE _____ DATE _____

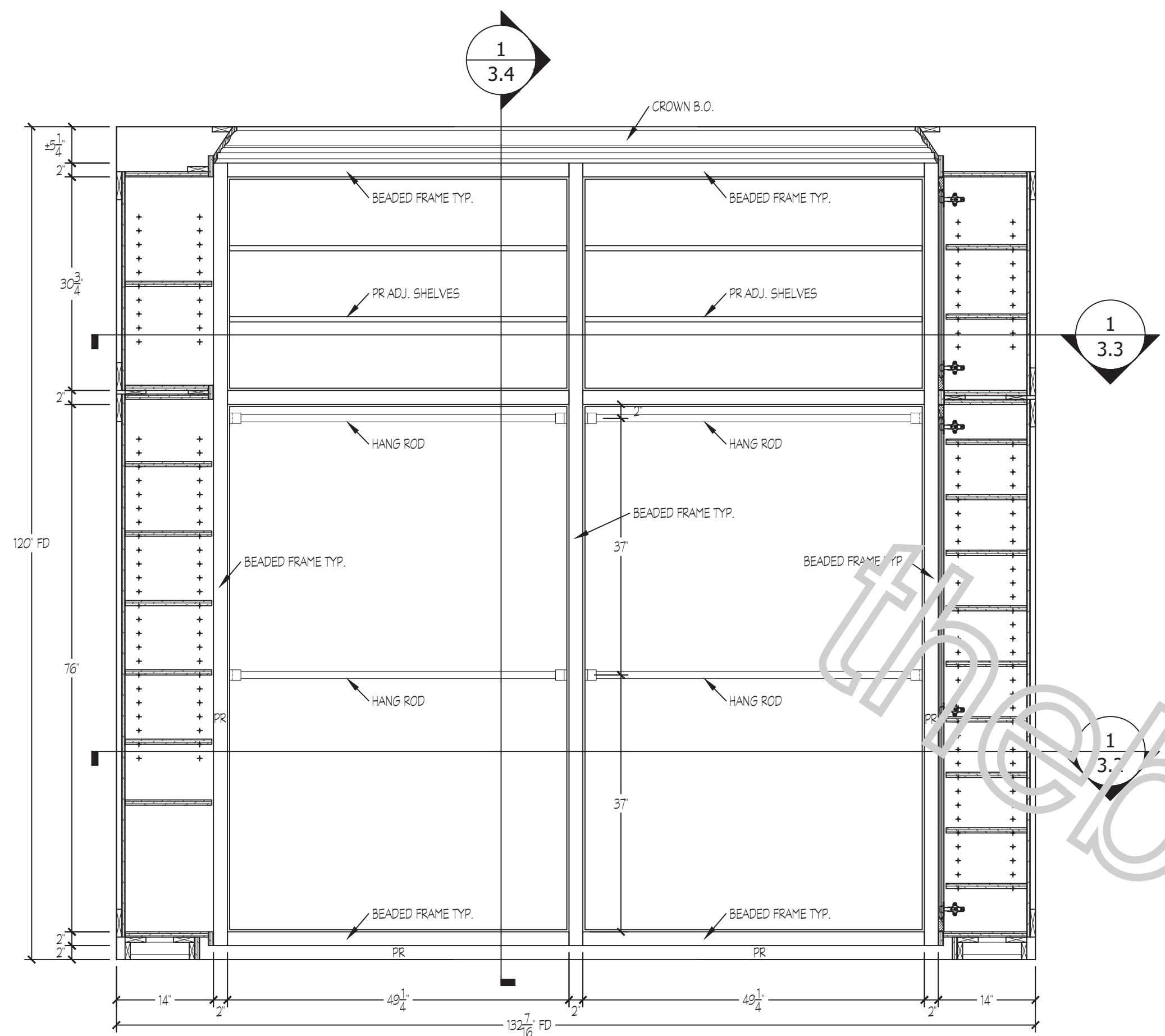
ABBREVIATIONS

AF=Above Fin Floor	FE=Finished End
BSC=Base	FF=Face Frame
BSK=Back	FO=Finished Opening
CABT=Cabinet	FP=Fixed Panel
CAS=Casing	ID=Inner Dimension
CL=Clear Opening	OD=Outer Dimension
CTOP=Counter Top	PNL=Panel
DB=Drawer Box	RO=Rough Opening
DF=Drawer Face	POI=Pull Out Tray
VF=Verify in Field	RM=Removable Panel
FD=Field Dimension	SHF=Adj. Shelf

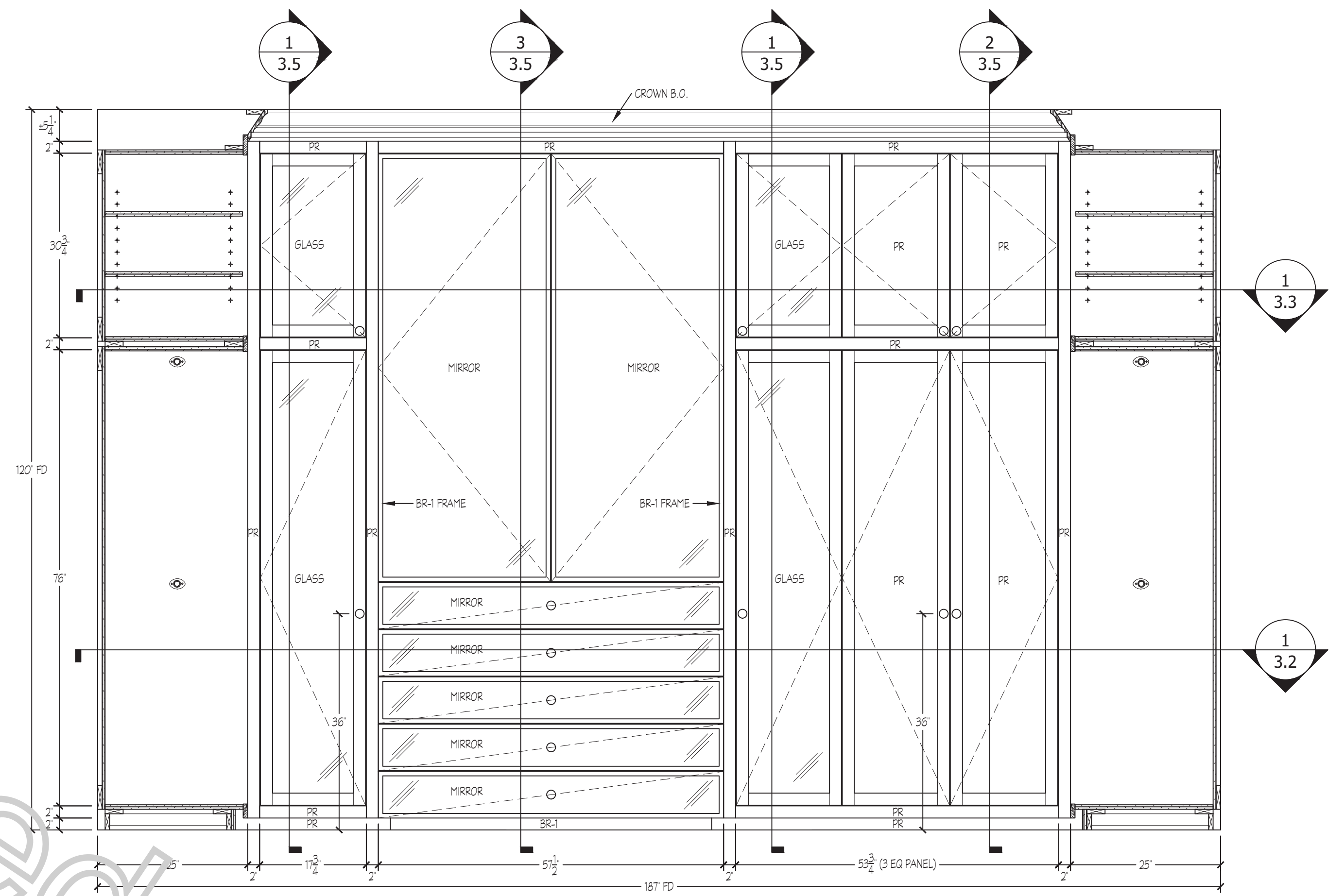


HER CLOSET

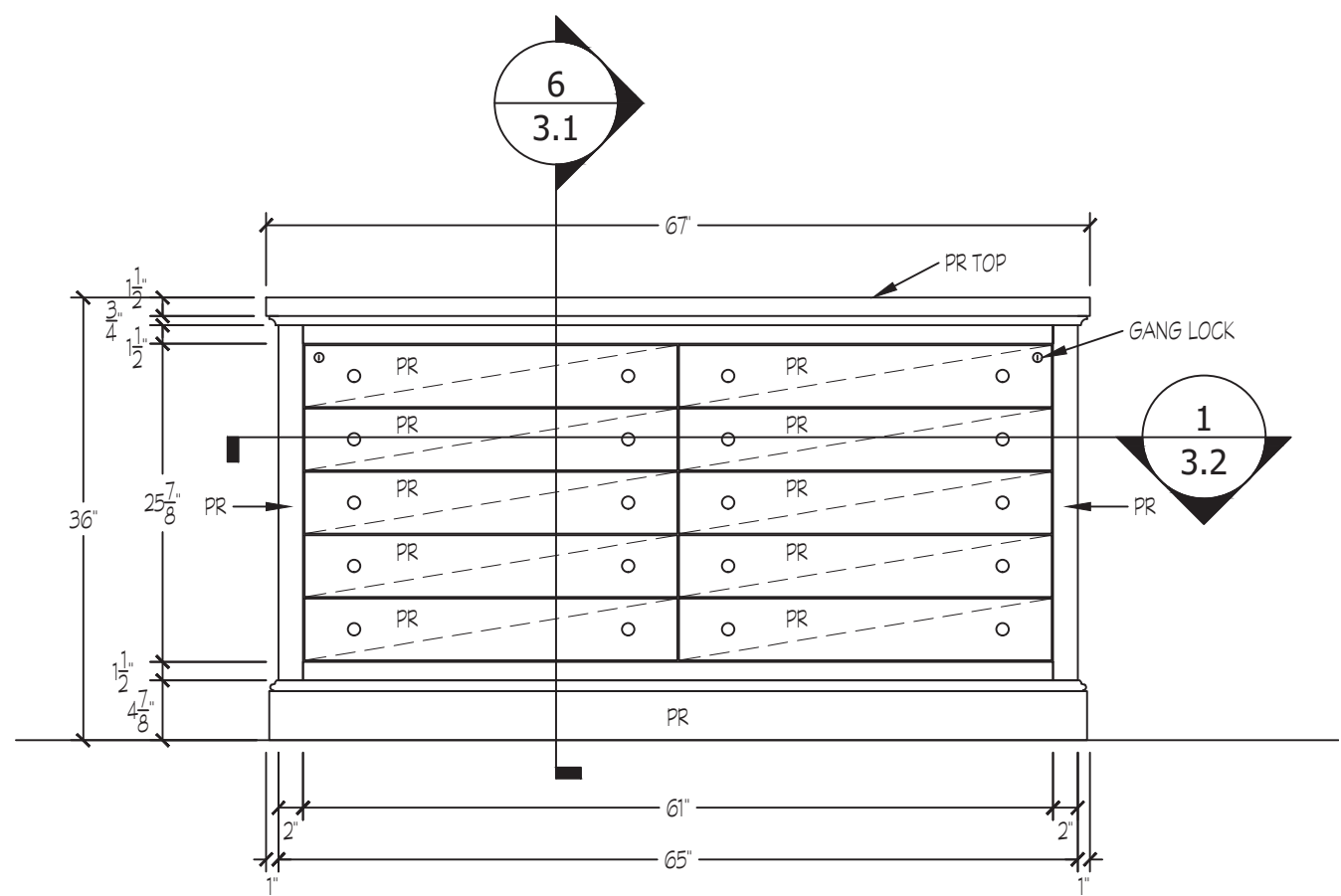
DWN BY: mj	SCALE: AS NOTED	DWG. NO.:
DATE: 06/25/21		S3.0



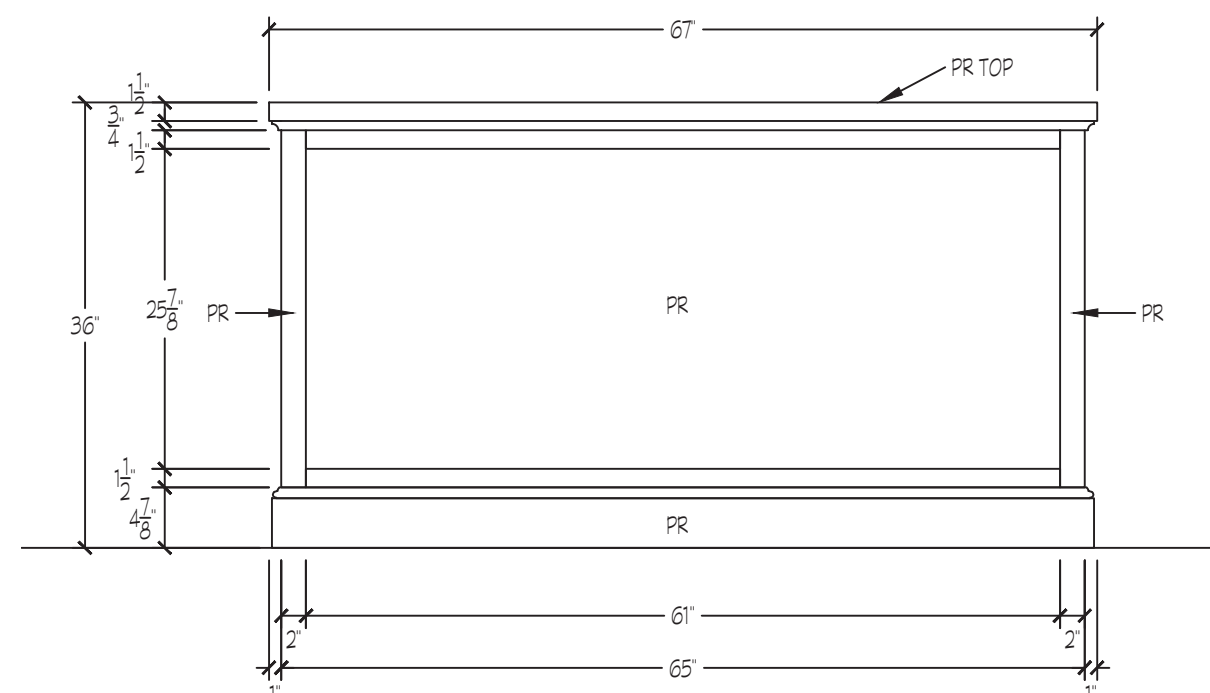
1 ELEVATION Scale: 3/4"=1'-0"



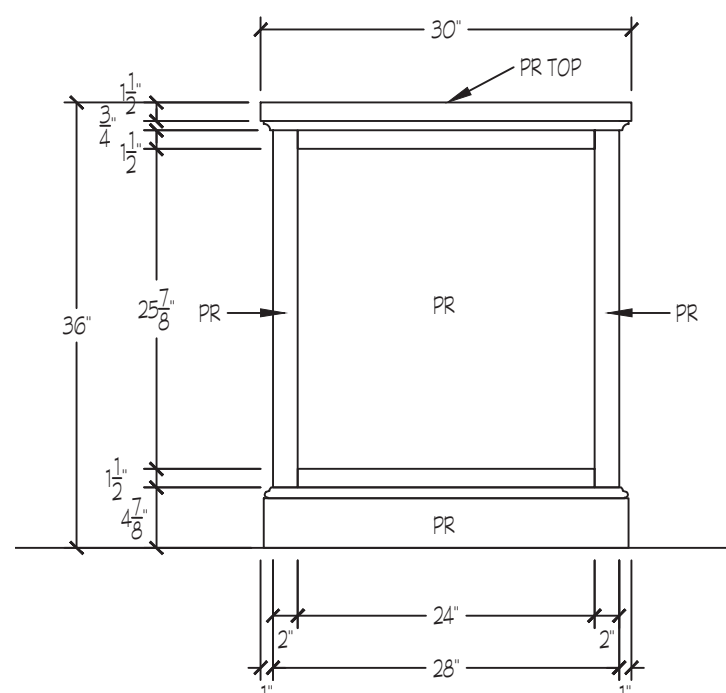
2 ELEVATION Scale: 3/4"=1'-0"



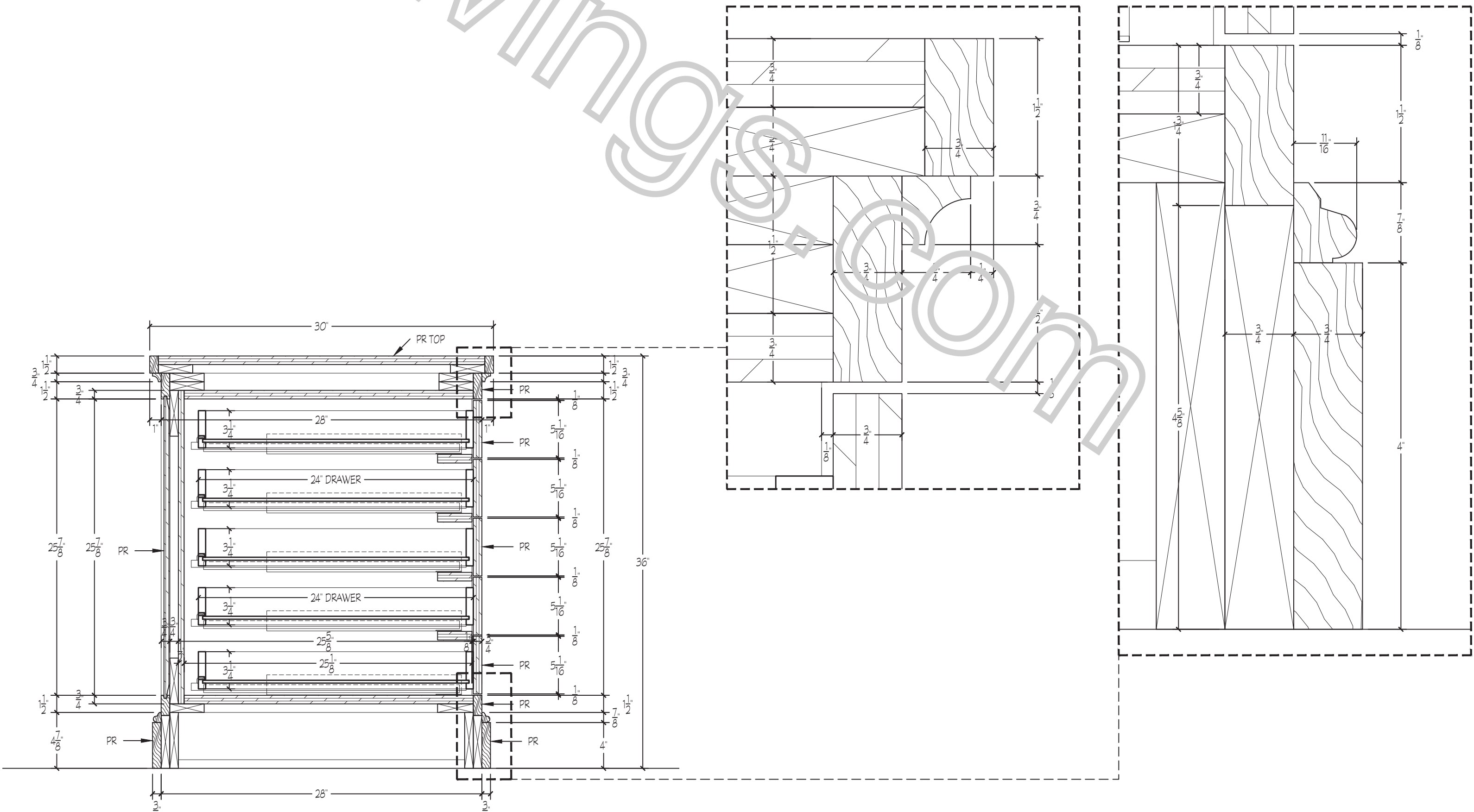
3 ELEVATION @ ISLAND Scale: 3/4"=1'-0"



4 ELEVATION @ ISLAND Scale: 3/4"=1'-0"



5 ELEVATION @ ISLAND Scale: 3/4"=1'-0"



6 SECTION @ ISLAND Scale: 1 1/2"=1'-0"

SPECIFICATIONS

FINISHES
 BR-1 - ANTIQUE BRASS
 PR - SHOP PAINTED
 BLUM SOFT CLOSE HINGE

HARDWARE

APPLIANCE & EXCLUSIONS

APPROVED/NO CHANGES
 APPROVED/AS NOTED
 REVISE AS NOTED/RESUBMIT

SIGNATURE _____ DATE _____

REVISIONS

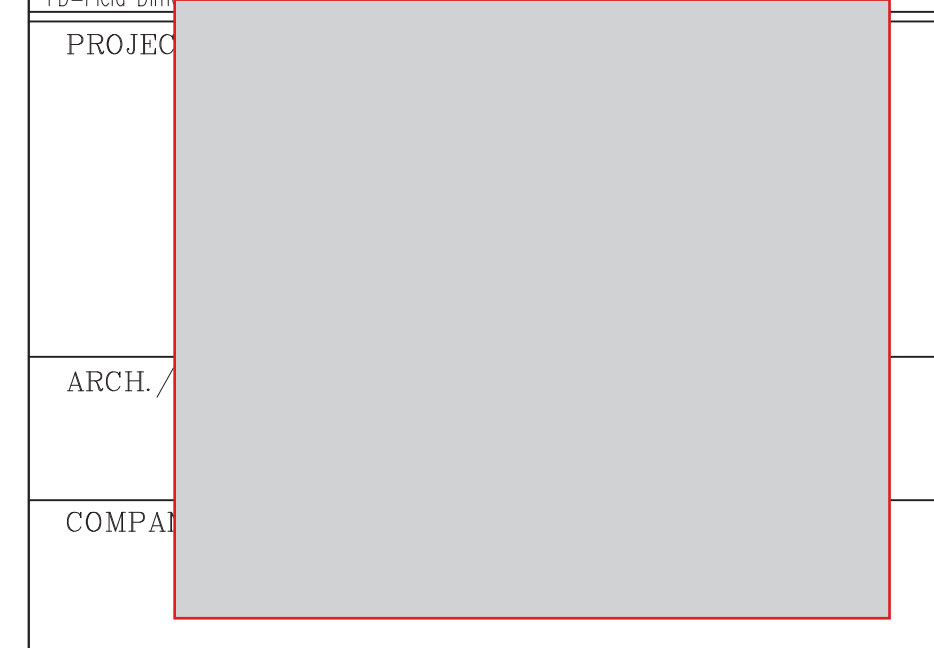
Nr	DATE	DESCRIPTION	BY	OBS.
1	07/07/21	ARCHT REVISION		

ONCE APPROVED, THIS DRAWING SUPERSEDES ALL PREVIOUS ARCHITECTURAL & SHOP DRAWINGS

APPROVED BY:
 SIGNATURE _____ DATE _____

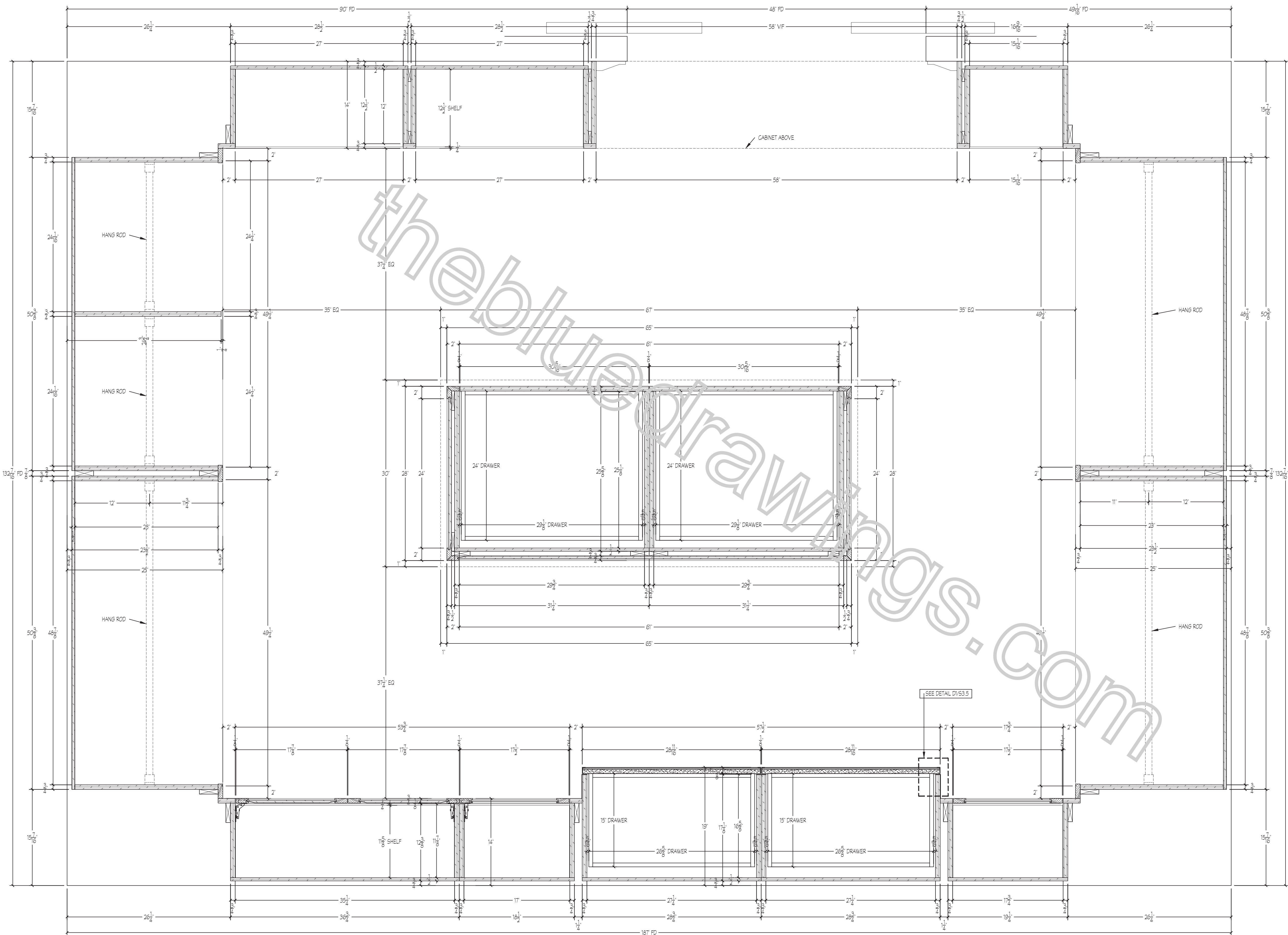
ABBREVIATIONS

AF=Above Fin Floor	FE=Finished End
BSC=Base	FF=Face Frame
BSK=Back	FO=Finished Opening
CABT=Cabinet	FP=Fixed Panel
CAS=Casing	ID=Inner Dimension
CL=Clear Opening	OD=Outer Dimension
CTOP=Counter Top	PN=Panel
DB=Drawer Box	RO=Rough Opening
DF=Drawer Face	POI=Pull Out Tray
VF=Verify In Field	RM=Removable Panel
FD=Field Dimension	GR=Grid Grid



HER CLOSET

DWN BY: mj	SCALE: AS NOTED	DWG. NO.:
DATE: 06/25/21		S3.1



1 SECTION
Scale: 1 1/2"=1'-0"

SPECIFICATIONS

FINISHES

BR-1 - ANTIQUE BRASS
PR - SHOP PAINTED
BLUM SOFT CLOSE HINGE

HARDWARE

APPLIANCE & EXCLUSIONS

APPROVED/NO CHANGES
APPROVED/AS NOTED
REVISE AS NOTED/RESUBMIT

SIGNATURE _____
DATE _____

REVISIONS

NO.	DATE	DESCRIPTION	BY	OBS.
1	07/07/21	ARCHT REVISION		

ONCE APPROVED, THIS DRAWING
SUPERSEDES ALL PREVIOUS
ARCHITECTURAL & SHOP DRAWINGS

APPROVED BY:
SIGNATURE _____
DATE _____

ABBREVIATIONS

AF=Above Fin Floor	FE=Finished End
BSC=Base	FF=Face Frame
BSK=Back	FO=Finished Opening
CAB=Cabinet	FP=Fixed Panel
CAS=Casing	ID=Inner Dimension
CL=Clear Opening	OD=Outer Dimension
CTOP=Counter Top	PNL=Panel
DB=Drawer Box	RO=Rough Opening
DF=Drawer Face	POI=Pull Out Tray
VF=Verify In Field	RM=Removable Panel
FD=Field Dimension	

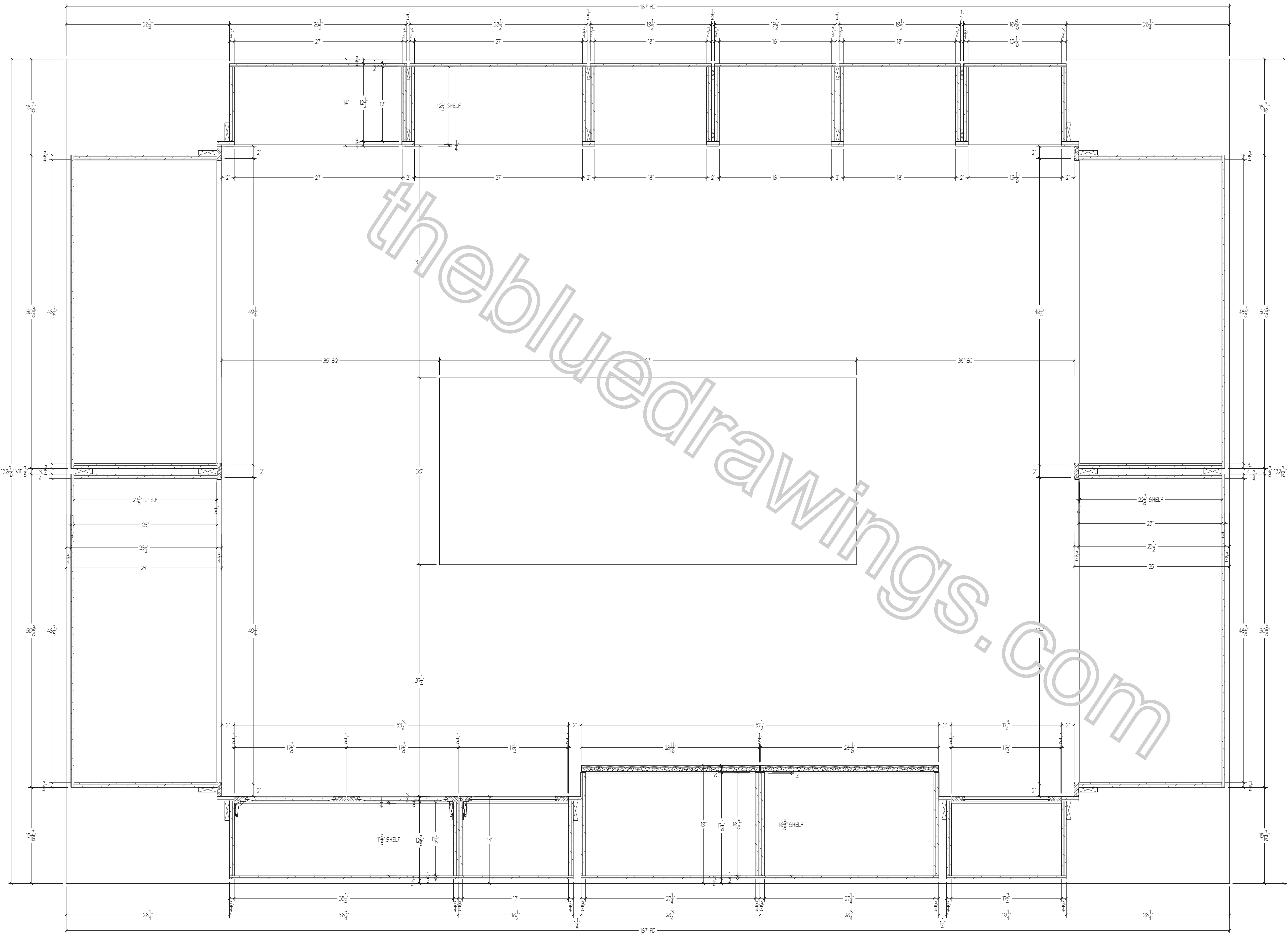
PROJECT _____

ARCH./D _____

COMPAN _____

HER CLOSET

DWN BY: mj	SCALE: AS NOTED	DWG. NO.:
DATE: 06/25/21		S3.2



1 SECTION
Scale: 1 1/2" = 1'-0"

SPECIFICATIONS

FINISHES

BR-1 - ANTIQUE BRASS
PR - SHOP PAINTED
BLUM SOFT CLOSE HINGE

HARDWARE

APPLIANCE & EXCLUSIONS

APPROVED/NO CHANGES
APPROVED/AS NOTED
REVISE AS NOTED/RESUBMIT

SIGNATURE _____
DATE _____

REVISIONS

Nr	DATE	DESCRIPTION	BY	OBS.
1	07/07/21	ARCHT REVISION		

ONCE APPROVED, THIS DRAWING
SUPERSEDES ALL PREVIOUS
ARCHITECTURAL & SHOP DRAWINGS

APPROVED BY:
SIGNATURE _____
DATE _____

ABBREVIATIONS

AF=Above Fin Floor	FE=Finished End
BSC=Base	FF=Face Frame
BCK=Back	FO=Finished Opening
CABT=Cabinet	FP=Fixed Panel
CAS=Casing	ID=Inner Dimension
CL=Clear Opening	OD=Outer Dimension
C/OT=Counter Top	PNL=Panel
DB=Drawer Box	RO=Rough Opening
DF=Drawer Face	POI=Pull Out Tray
VF=Verify In Field	RM=Removable Panel
FD=Field Dimension	SHF=Adj. Shelf

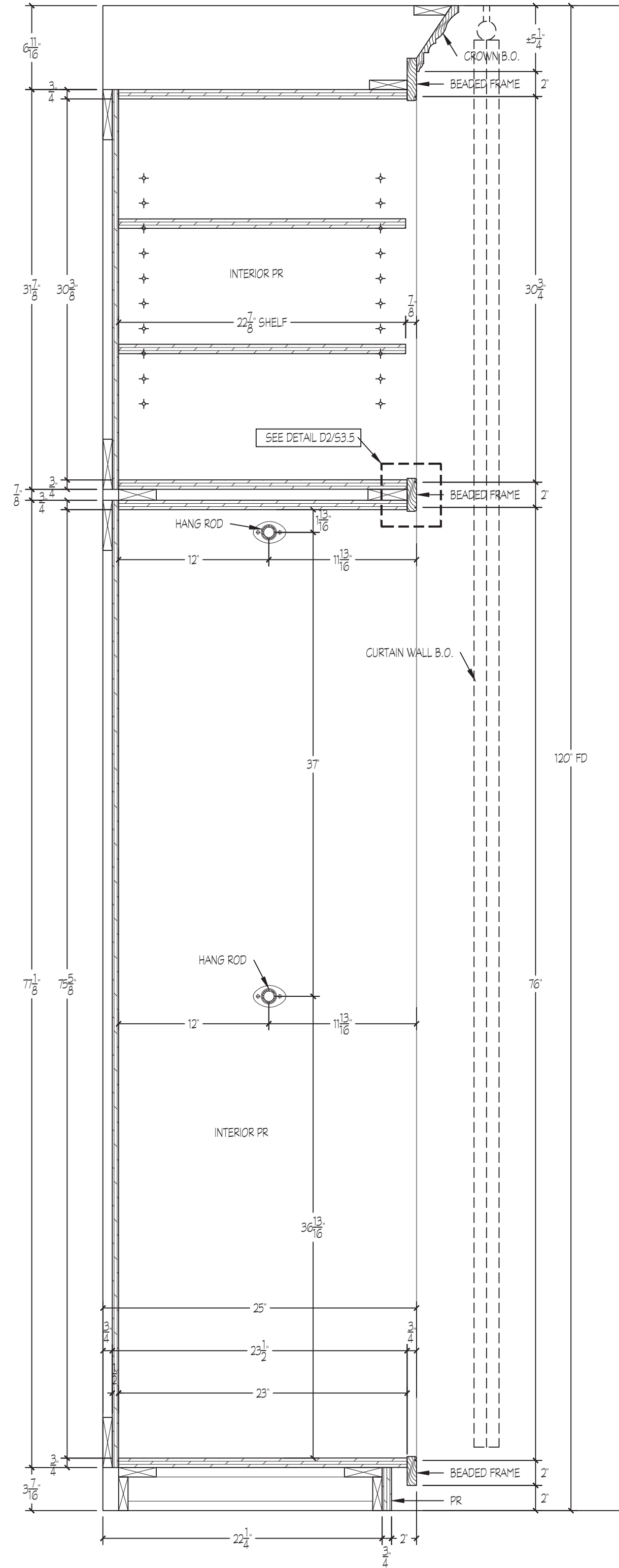
PROJECT _____

ARCH. / _____

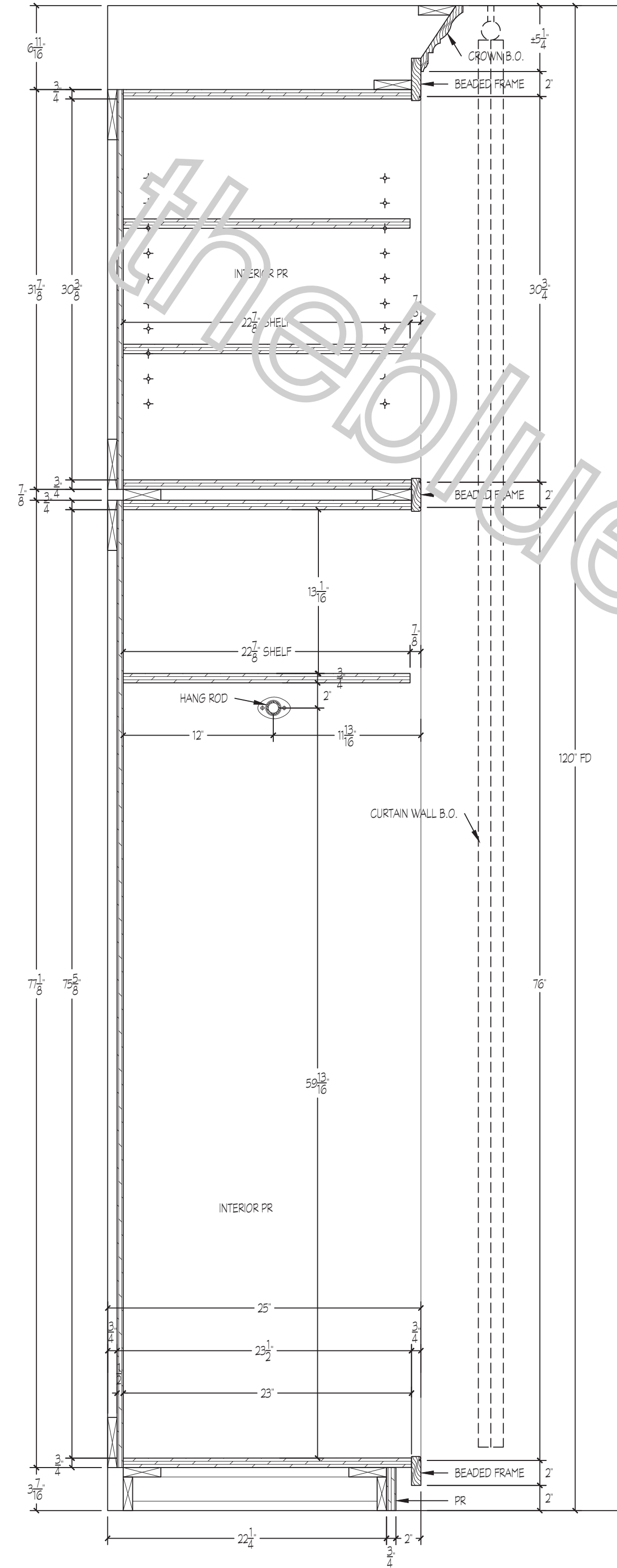
COMPAN _____

HER CLOSET

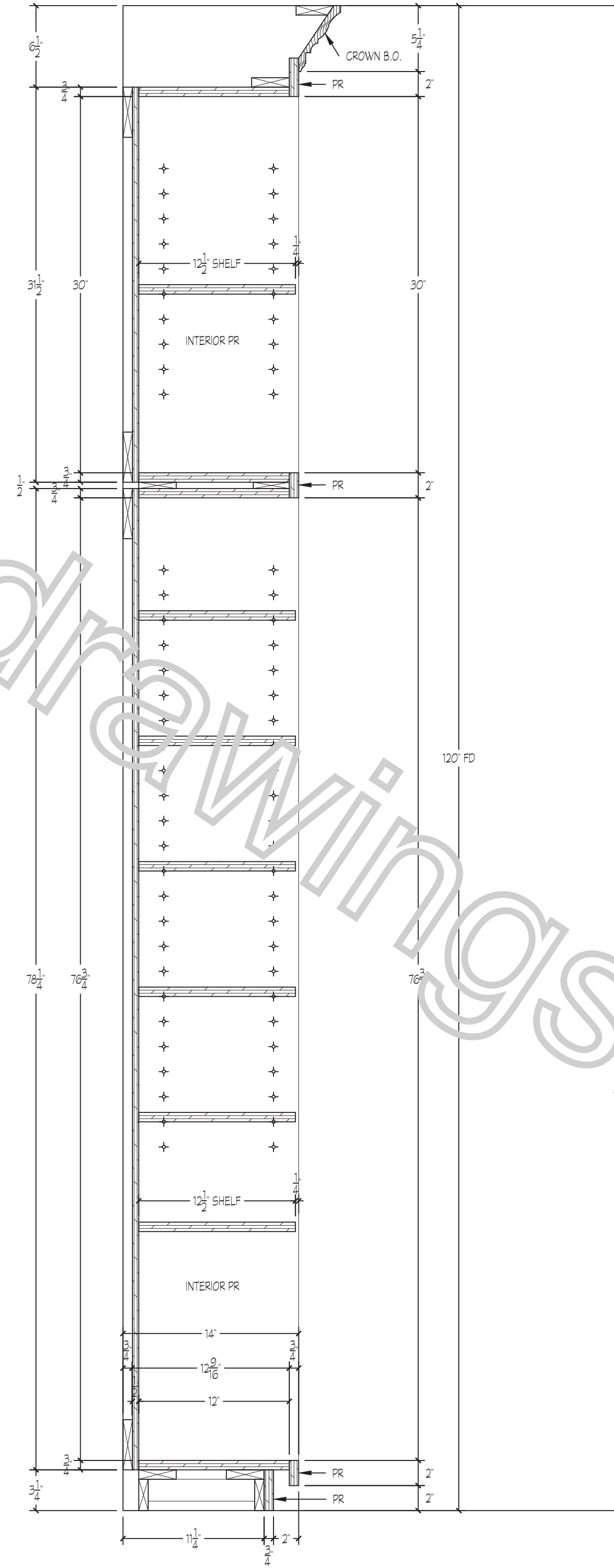
DWN BY: mj	SCALE: AS NOTED	DWG. NO.:
DATE: 06/25/21		S3.3



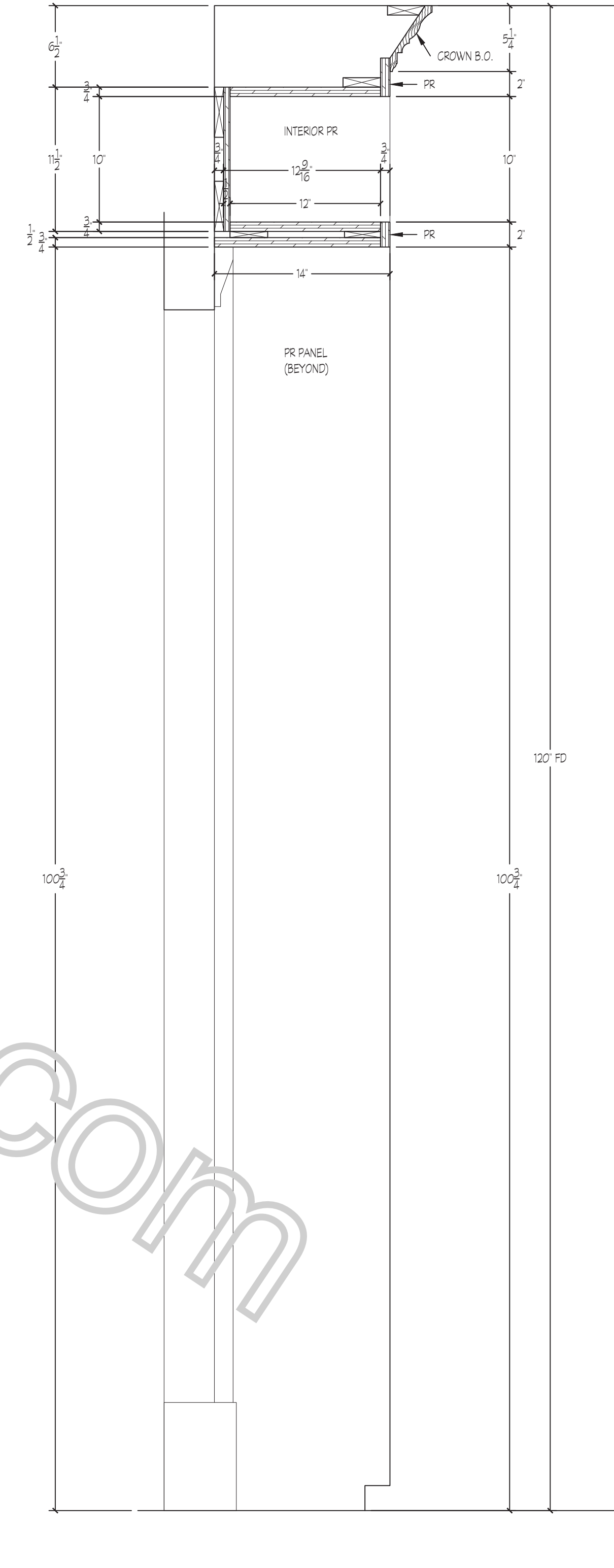
1 SECTION Scale: 1 1/2"=1'-0"



2 SECTION Scale: 1 1/2"=1'-0"



3 SECTION Scale: 1 1/2"=1'-0"



4 SECTION Scale: 1 1/2"=1'-0"

SPECIFICATIONS

FINISHES

BR-1 - ANTIQUE BRASS
 PR - SHOP PAINTED
 BLUM SOFT CLOSE HINGE

HARDWARE

APPLIANCE & EXCLUSIONS

APPROVED/NO CHANGES
 APPROVED/AS NOTED
 REVISE AS NOTED/RESUBMIT

SIGNATURE _____ DATE _____

REVISIONS

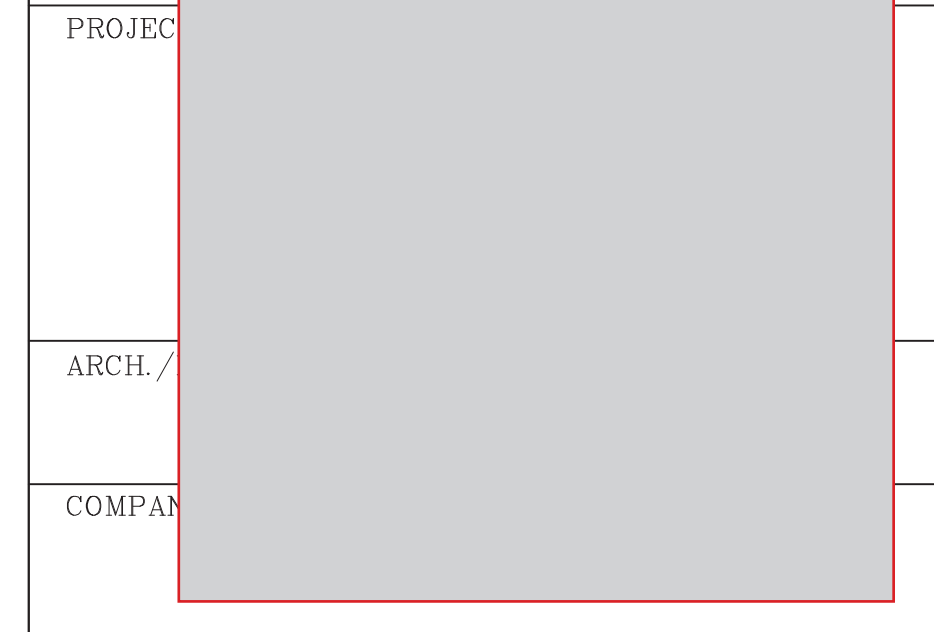
Nr	DATE	DESCRIPTION	BY	OBS.
1	07/07/21	ARCHT REVISION		

ONCE APPROVED, THIS DRAWING
 SUPERSEDES ALL PREVIOUS
 ARCHITECTURAL & SHOP DRAWINGS

APPROVED BY:
 SIGNATURE _____ DATE _____

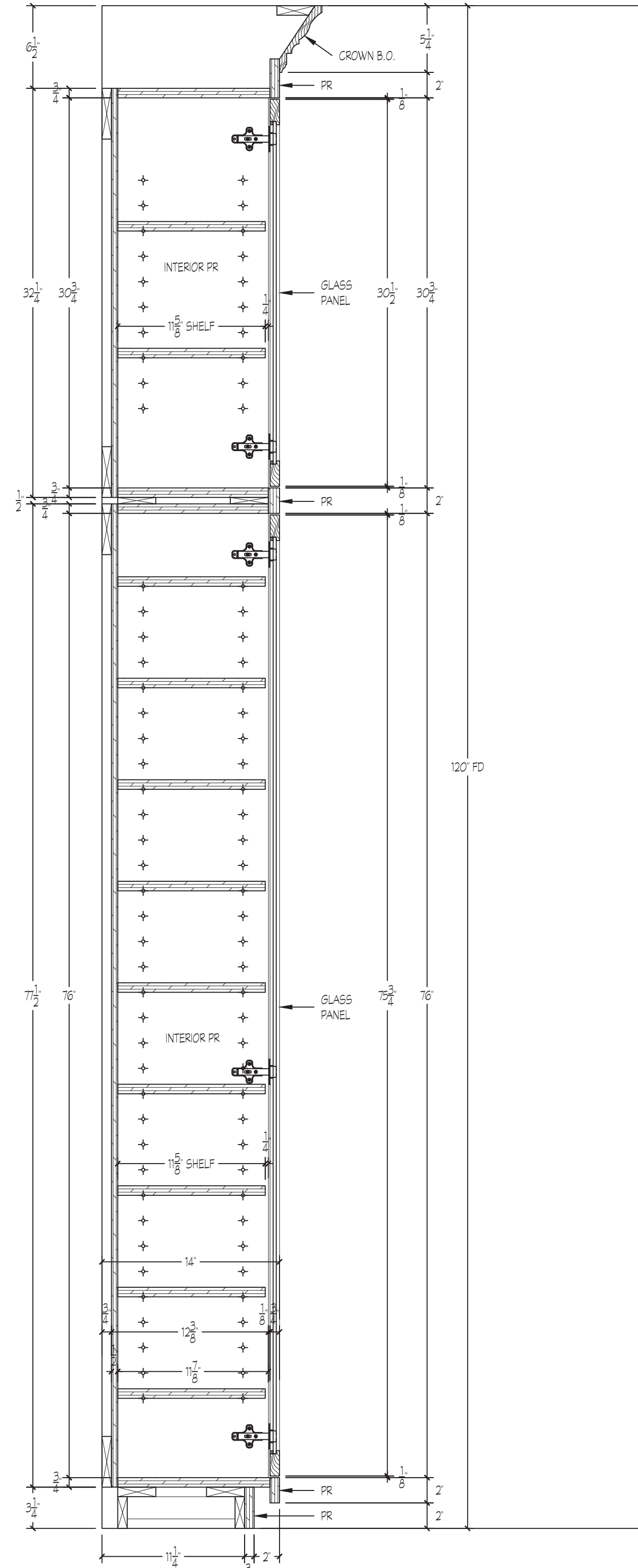
ABBREVIATIONS

AF=Above Fin Floor	FE=Finished End
BSC=Base	FF=Face Frame
BCK=Back	FO=Finished Opening
CAB=Cabinet	FP=Fixed Panel
CAS=Casing	ID=Inner Dimension
CL=Clear Opening	OD=Outer Dimension
C/OT=Counter Top	PN=Panel
DB=Drawer Box	RO=Rough Opening
DF=Drawer Face	FOI=Full Out. Tray
VF=Verify In. Field	REM=Removable Panel
FD=Field Dimension	CLC=Curtain Clo.

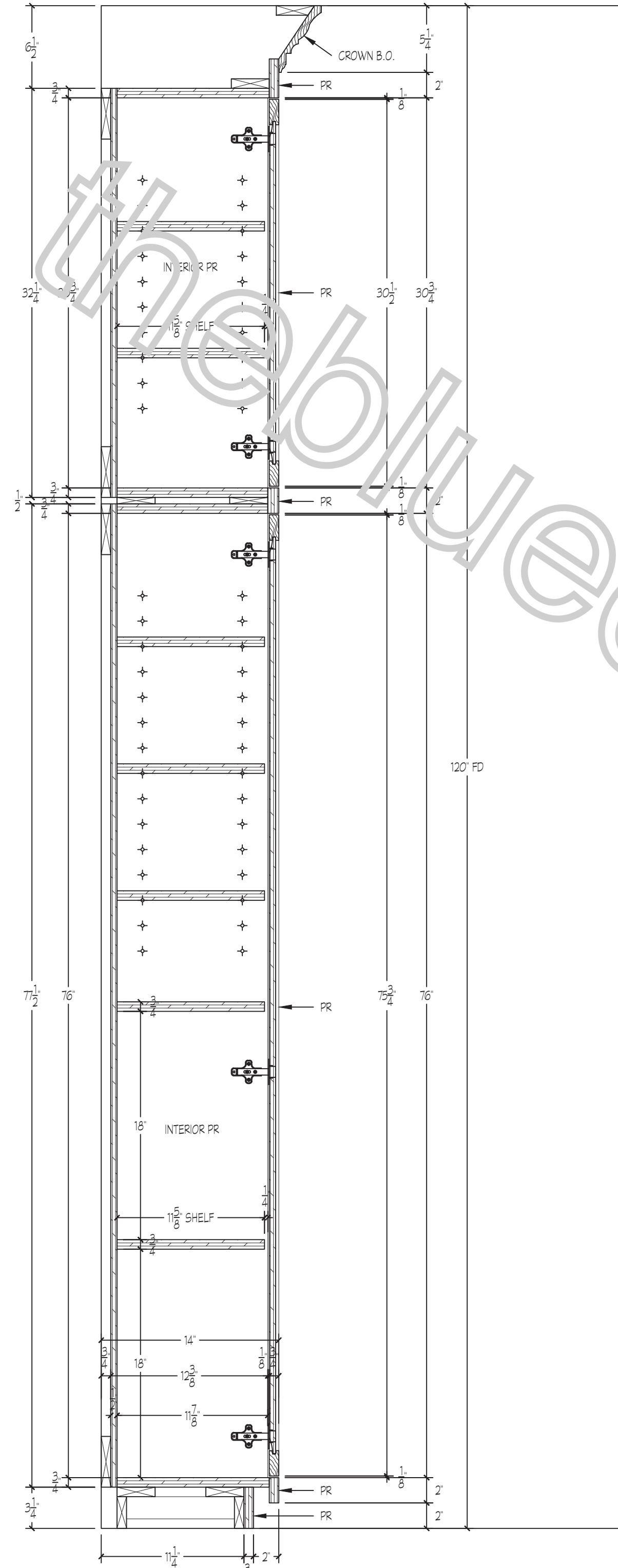


HER CLOSET

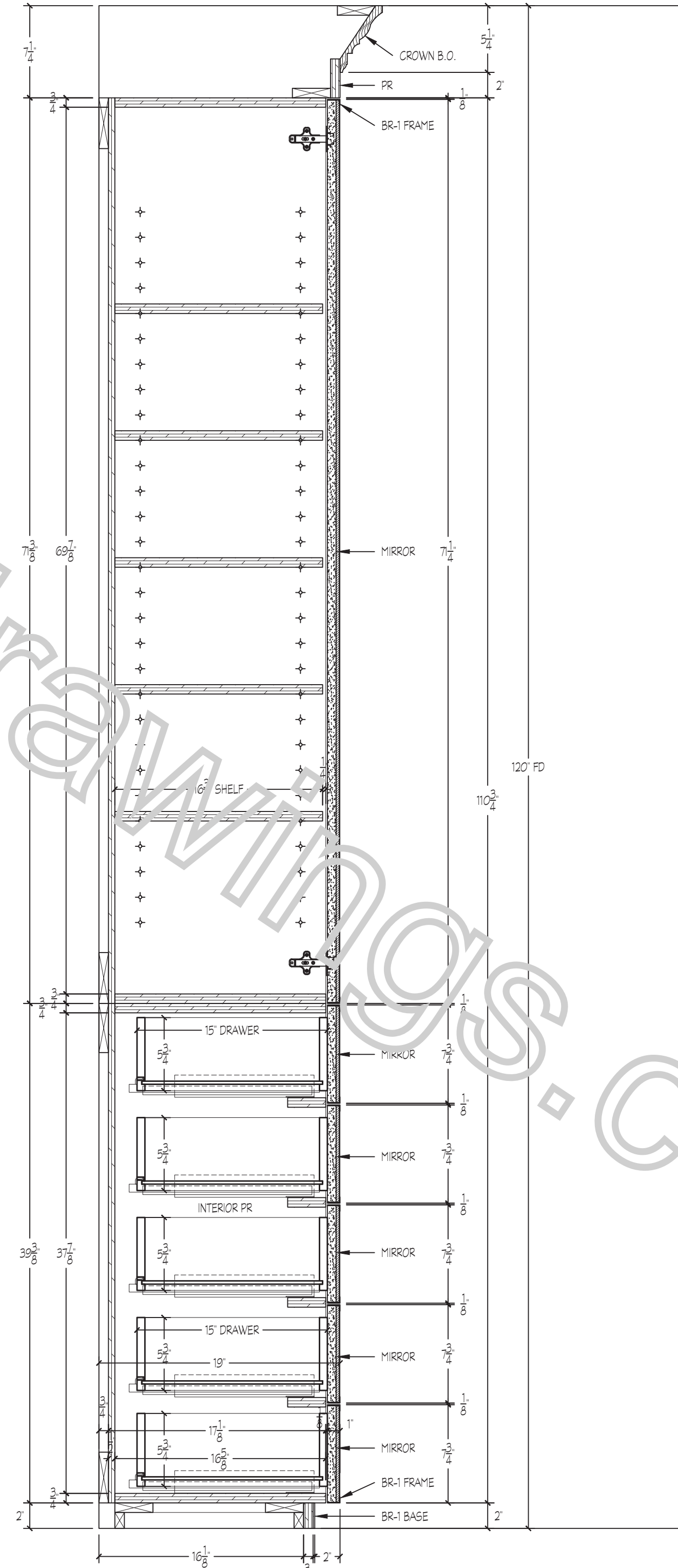
DWN BY: mj SCALE: AS NOTED DWG. NO.: S3.4
 DATE: 06/25/21



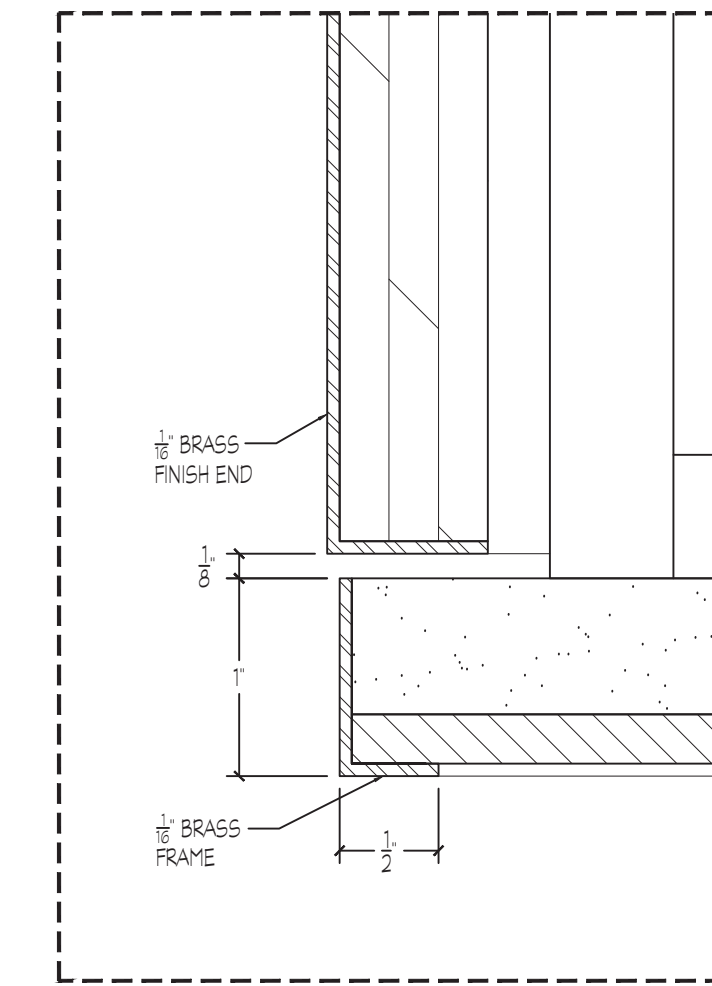
1 SECTION Scale: 1 1/2"=1'-0"



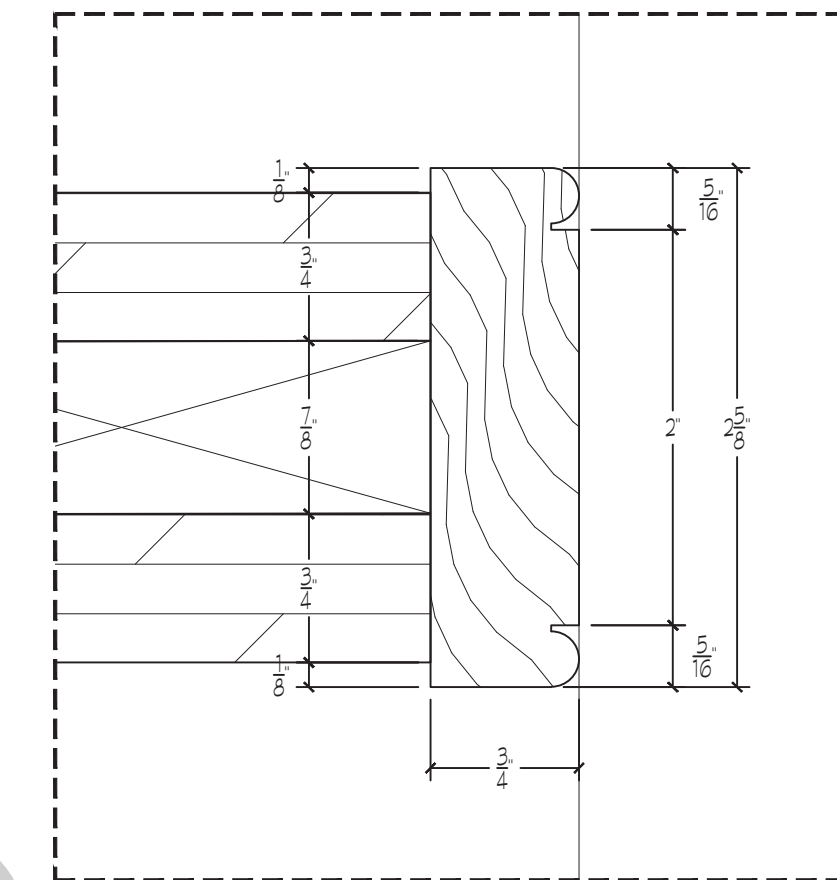
2 SECTION Scale: 1 1/2"=1'-0"



3 SECTION Scale: 1 1/2"=1'-0"



D1 DETAIL Scale: FULL



D2 DETAIL Scale: FULL

SPECIFICATIONS

FINISHES

BR-1 - ANTIQUE BRASS
 PR - SHOP PAINTED
 BLUM SOFT CLOSE HINGE

HARDWARE

APPLIANCE & EXCLUSIONS

APPROVED/NO CHANGES
 APPROVED/AS NOTED
 REVISE AS NOTED/RESUBMIT

SIGNATURE _____ DATE _____

REVISIONS

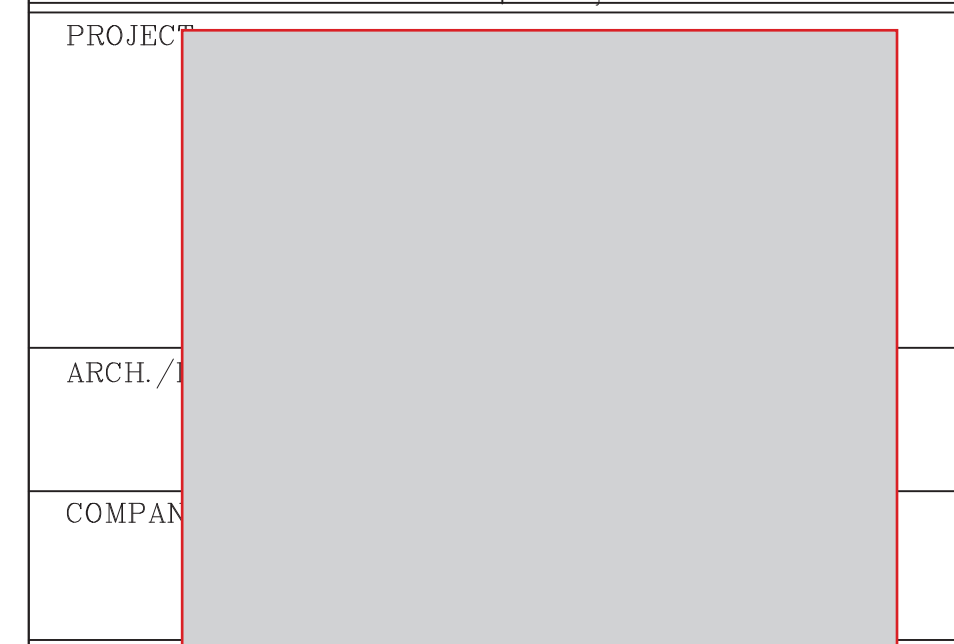
Nr	DATE	DESCRIPTION	BY	OBS.
1	07/07/21	ARCHT REVISION		

ONCE APPROVED, THIS DRAWING
 SUPERSEDES ALL PREVIOUS
 ARCHITECTURAL & SHOP DRAWINGS

APPROVED BY:
 SIGNATURE _____ DATE _____

ABBREVIATIONS

AF=Above Fin Floor	FE=Finished End
BS=Base	FF=Face Frame
BSK=Back	FO=Finished Opening
CAB=Cabinet	FP=Fixed Panel
CAS=Casing	ID=Inner Dimension
CL=Clear Opening	OD=Outer Dimension
C/TOP=Counter Top	PN=Panel
DB=Drawer Box	RO=Rough Opening
DF=Drawer Face	POI=Pull Out Tray
VF=Verify In Field	RM=Removable Panel
FD=Field Dimension	SH=Adj. Shelf



HER CLOSET

DWN BY: mj	SCALE: AS NOTED	DWG. NO.:
DATE: 06/25/21		S3.5