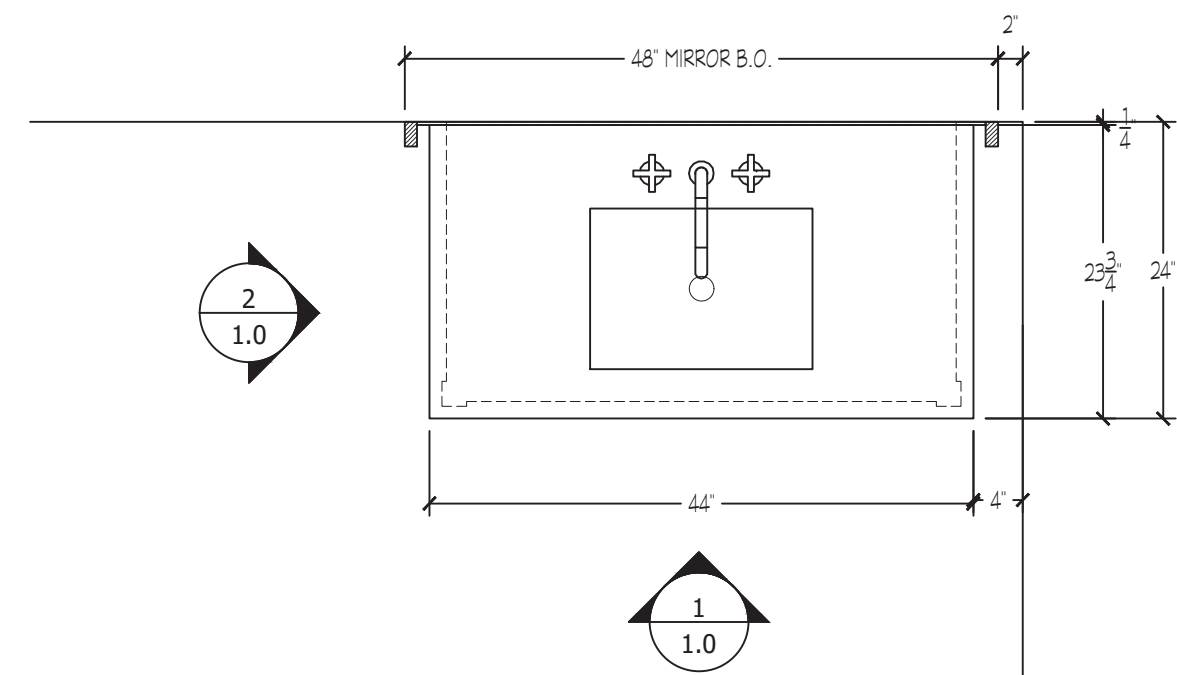
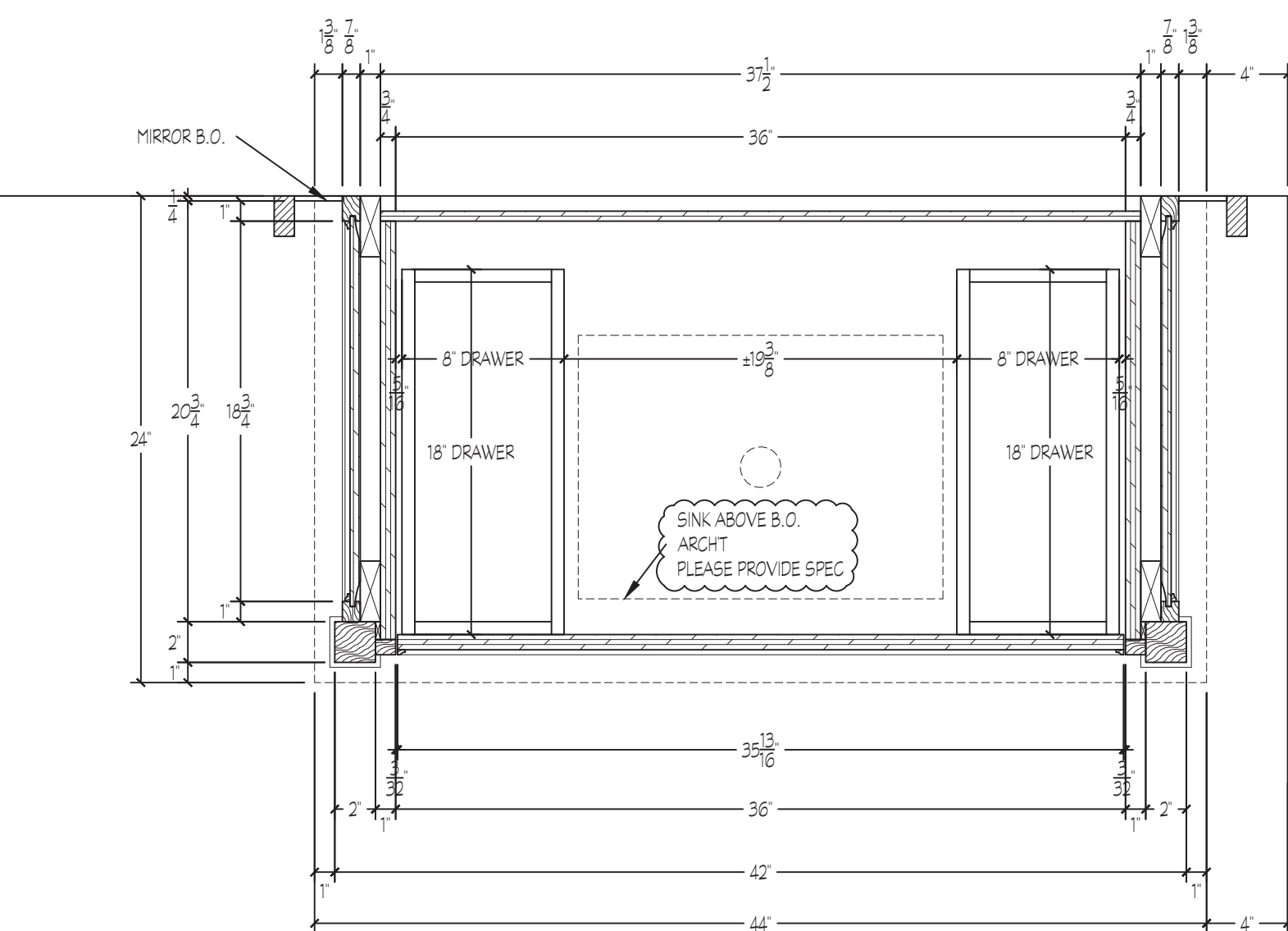


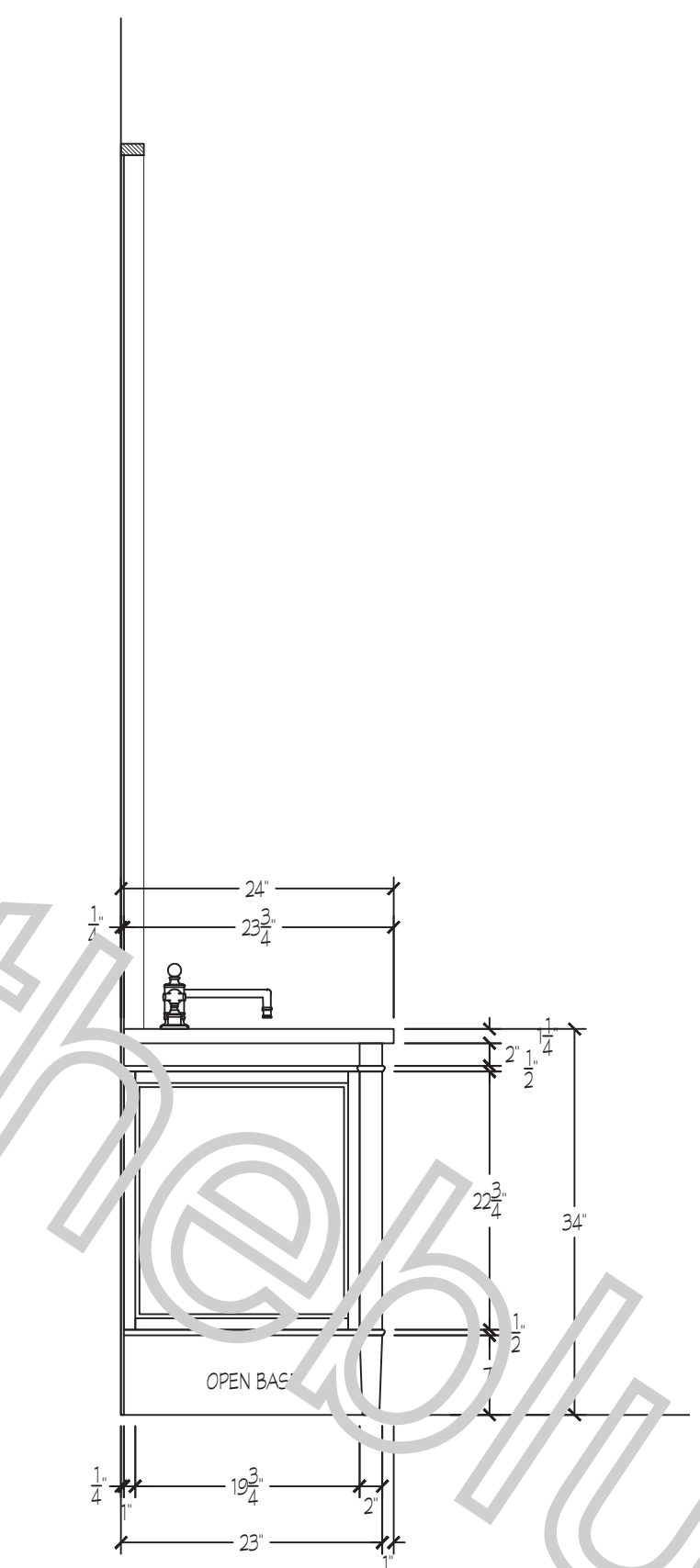
1 ELEVATION  
Scale: 3/4"=1'-0"



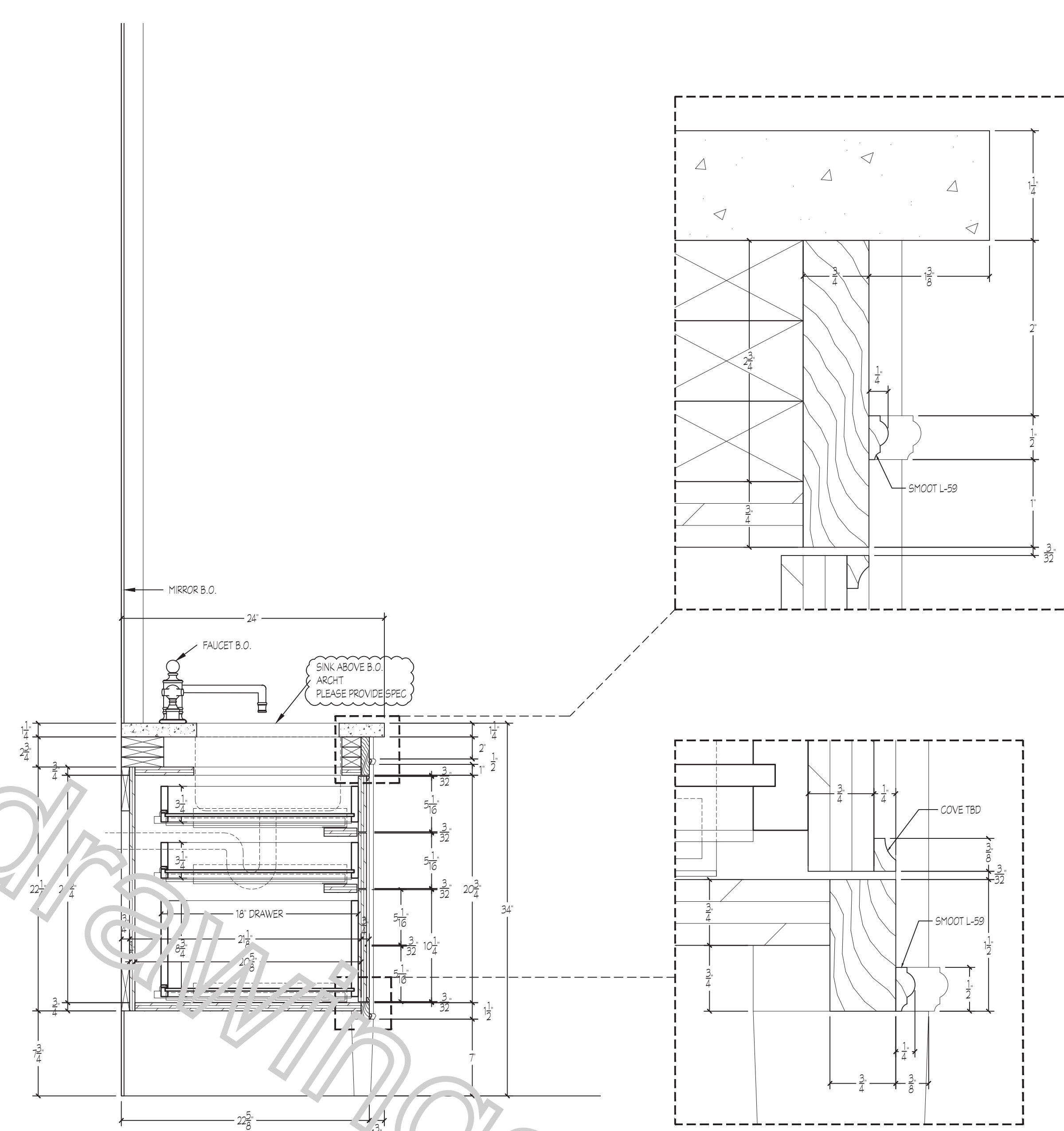
3 PLAN  
Scale: 3/4"=1'-0"



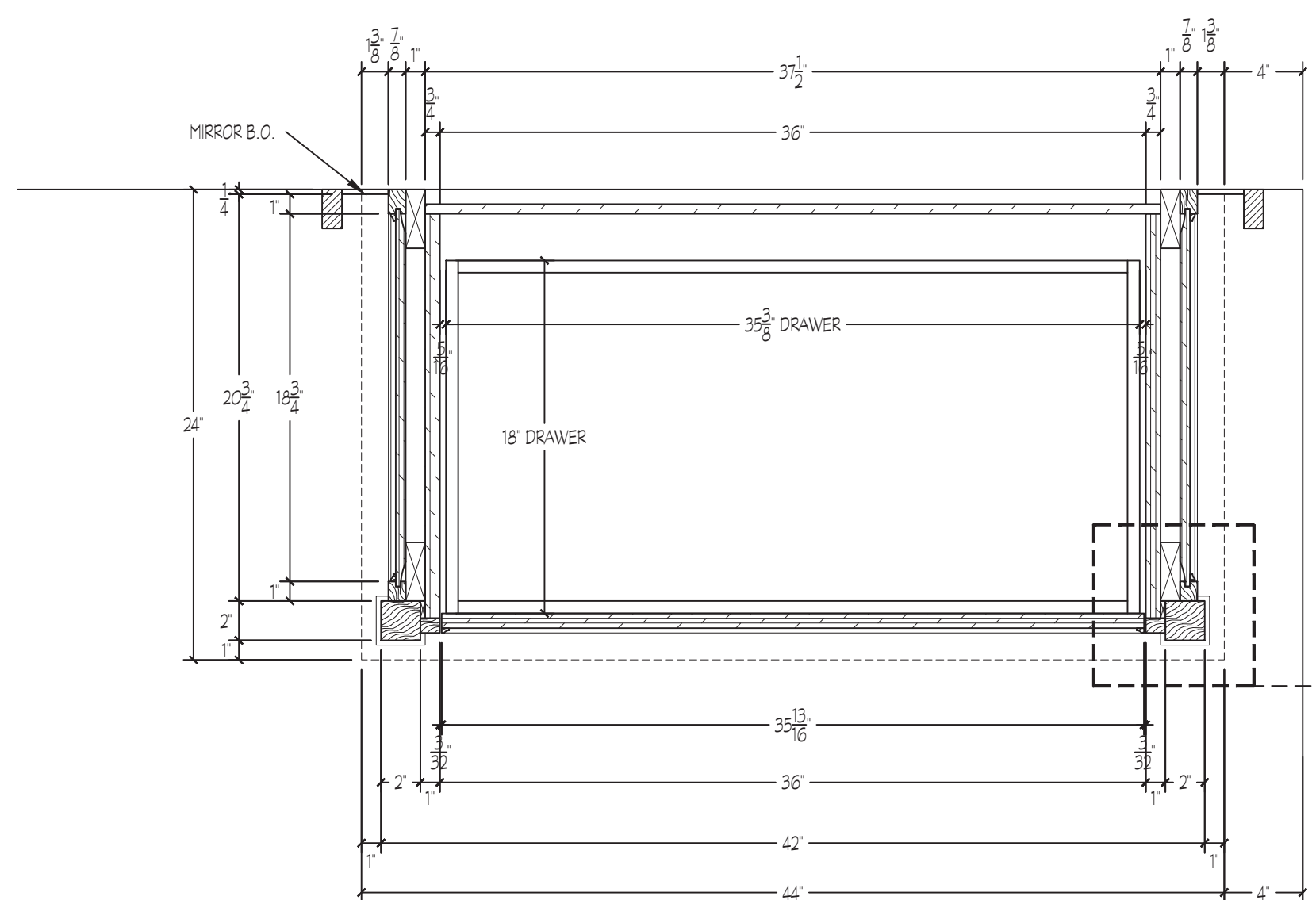
5 SECTION  
Scale: 1 1/2"=1'-0"



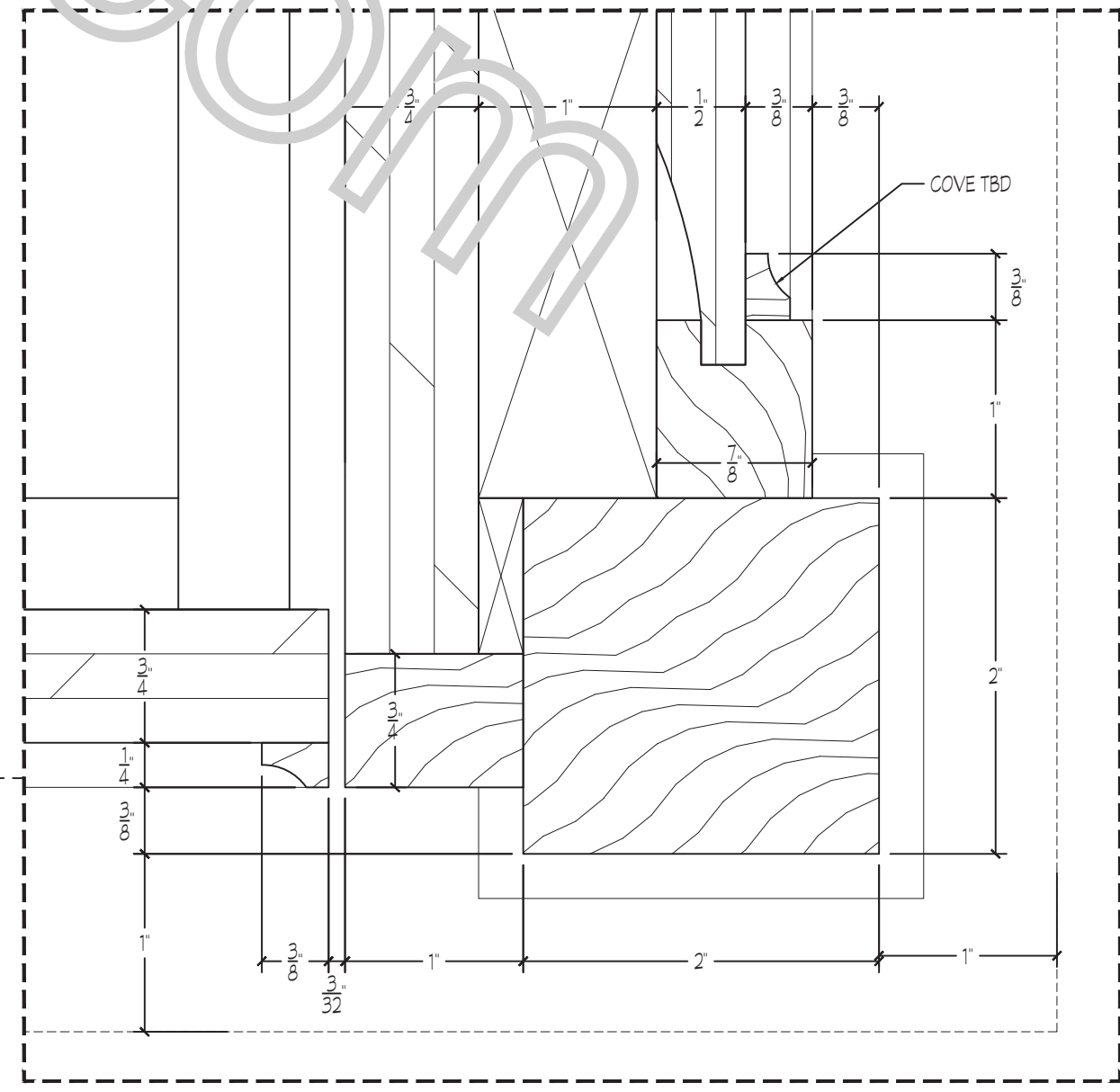
2 ELEVATION  
Scale: 3/4"=1'-0"



4 SECTION  
Scale: 1 1/2"=1'-0"



6 SECTION  
Scale: 1 1/2"=1'-0"



SPECIFICATIONS

FINISHES  
EXTERIOR FINISH: PAINTED - COLOR TBD  
INTERIOR FINISH: CLEAR MAPLE  
COUNTERTOP - BY OTHERS

HARDWARE

APPLIANCE & EXCLUSIONS

APPROVED/NO CHANGES  
APPROVED/AS NOTED  
REVISE AS NOTED/RESUBMIT

SIGNATURE \_\_\_\_\_  
DATE \_\_\_\_\_

REVISIONS

Nr	DATE	DESCRIPTION	BY	OBS.
1	07/07/21	ARCHT REVISION		

ONCE APPROVED, THIS DRAWING  
SUPERSEDES ALL PREVIOUS  
ARCHITECTURAL & SHOP DRAWINGS

APPROVED BY:  
SIGNATURE \_\_\_\_\_  
DATE \_\_\_\_\_

ABBREVIATIONS

AF=Above Fin Floor	FE=Finished End
BSC=Base	FF=Face Frame
BSK=Back	FO=Finished Opening
CAB=Cabinet	FP=Fixed Panel
CAS=Casing	ID=Inner Dimension
CL=Clear Opening	OD=Outer Dimension
CTOP=Counter Top	PNL=Panel
DB=Drawer Box	RO=Rough Opening
DF=Drawer Face	POI=Pull Out Tray
VF=Verify in Field	RM=Removable Panel
FD=Field Dimension	SHF=Adj. Shelf

PROJ	
ARCH	
COMP	

MASTER BATH  
VANITY

DWN BY: mj	SCALE: AS NOTED	DWG. NO.:
DATE: 06/25/21		S1.0